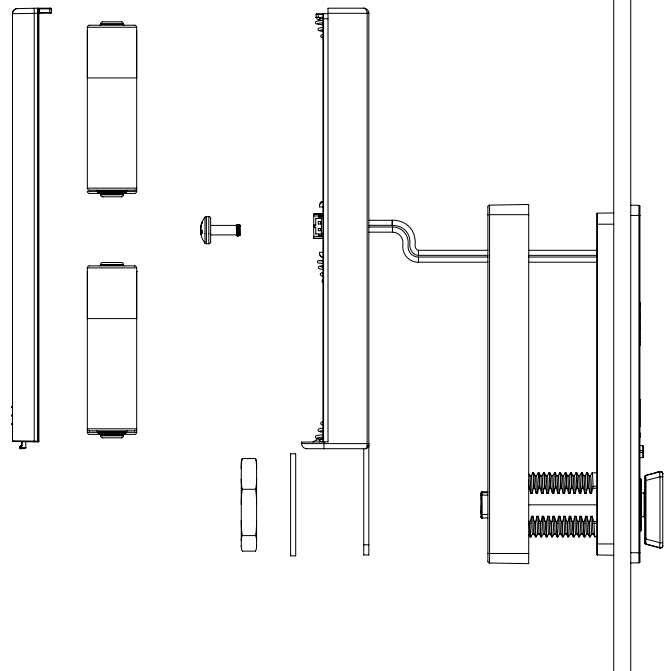
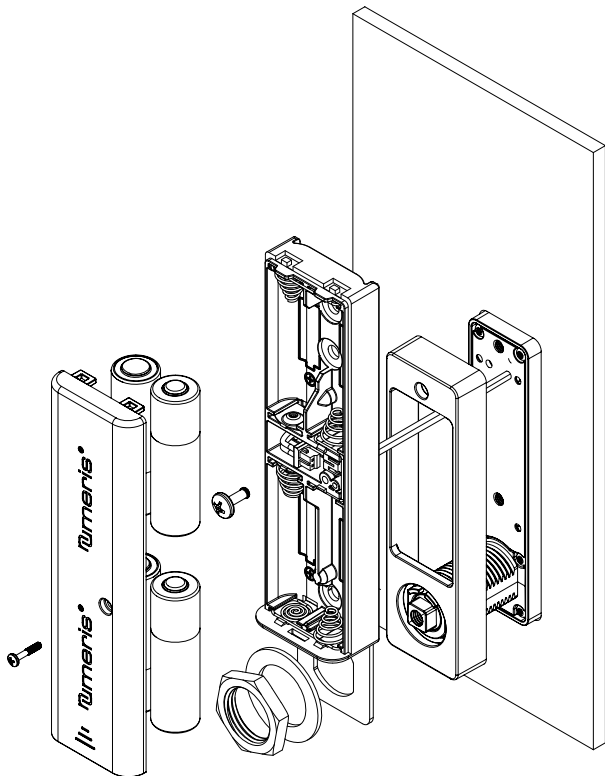
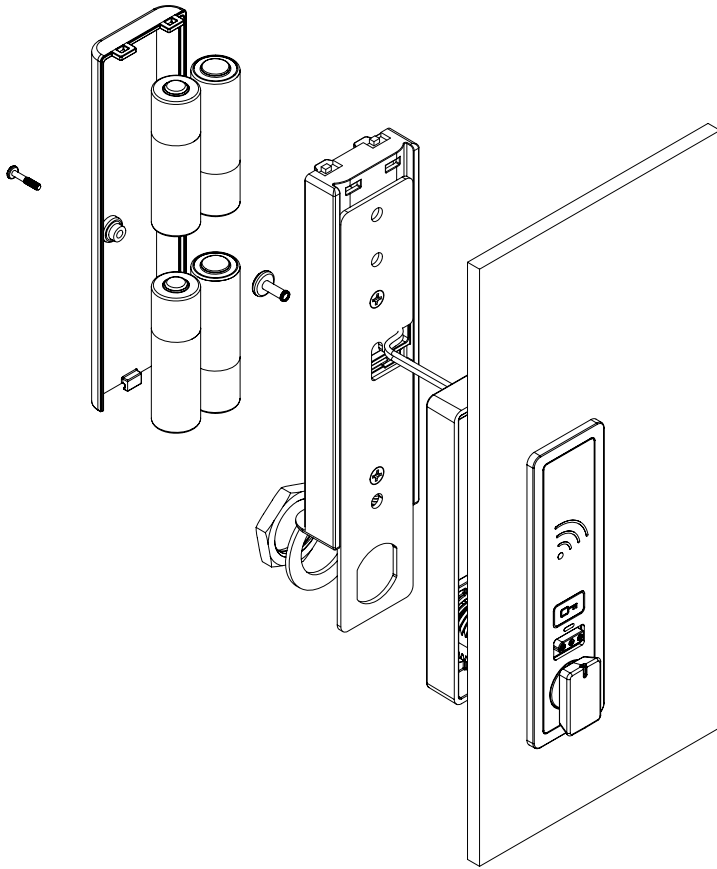


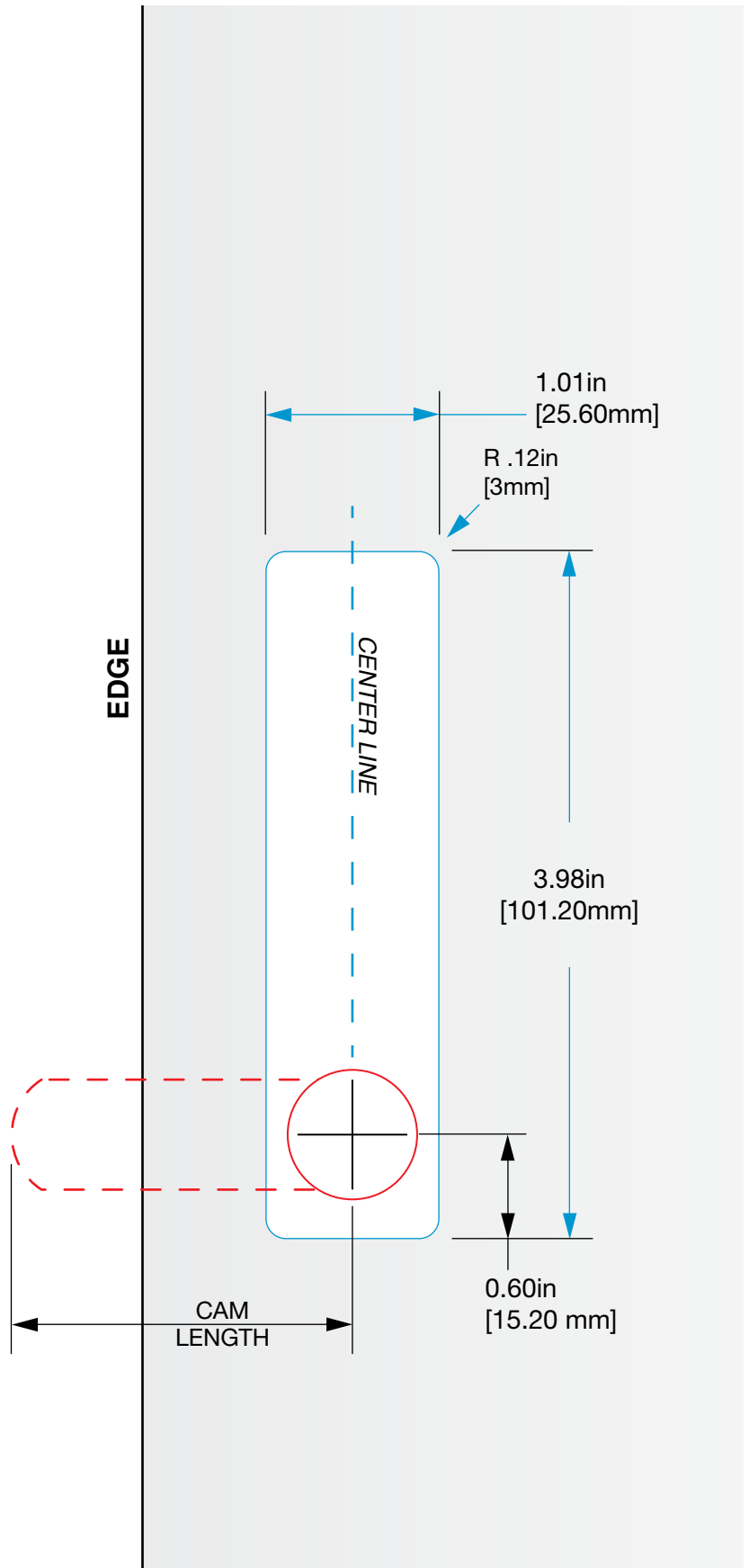
## INSTALLATION & MOUNTING **GUIDE**

Recess Mount: For Door Thickness less than 10mm

Use Template 1 for Hole Position and Dimensions

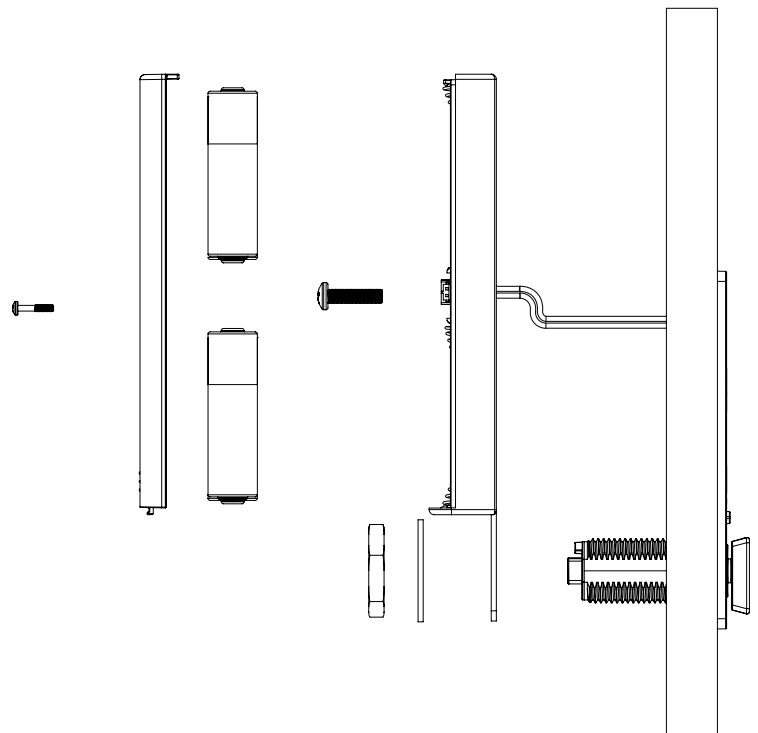
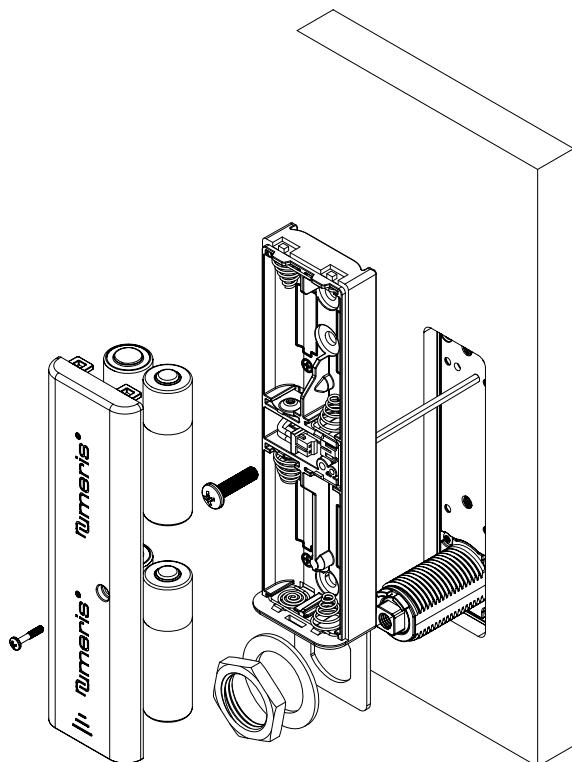
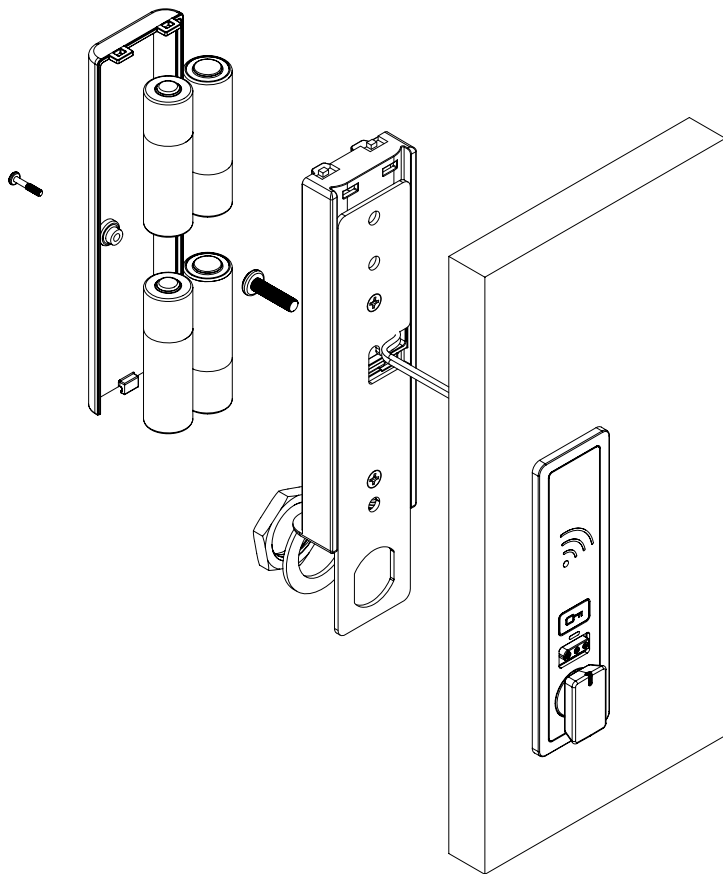


Mortise Template

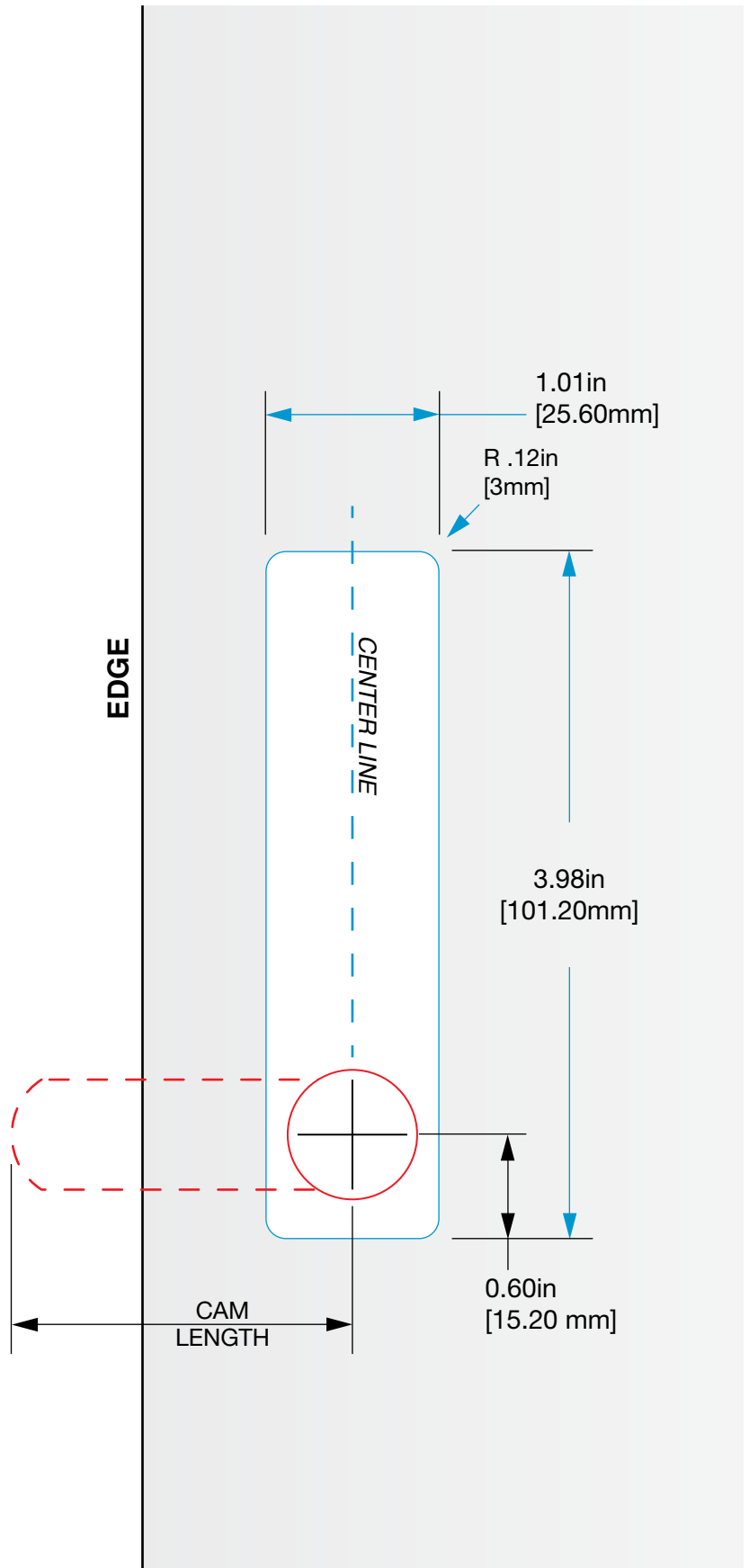


Recess Mount: For Door Thickness between 10-25mm

Use Template 1 for Hole Position and Dimensions

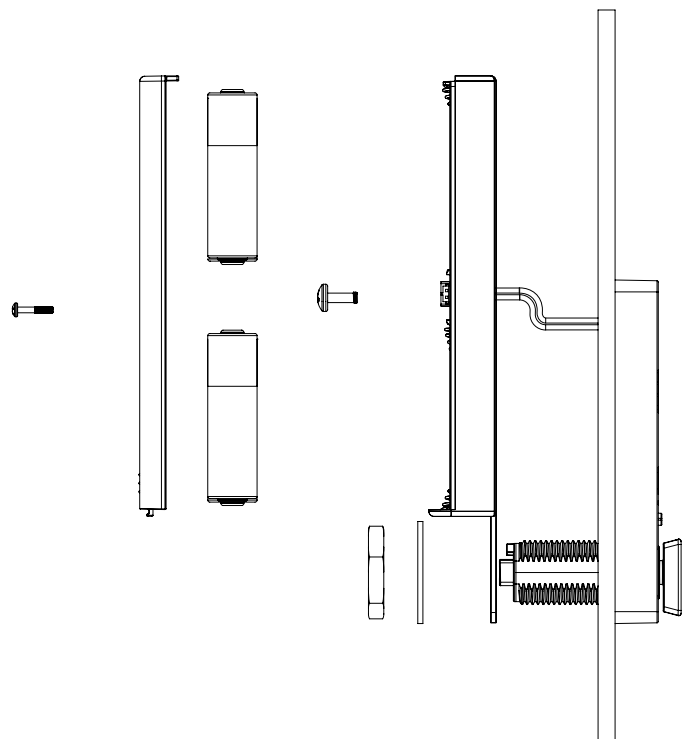
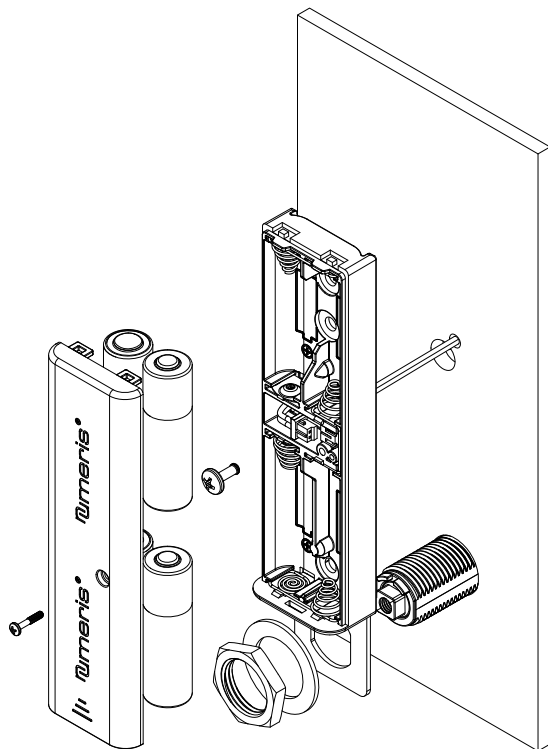
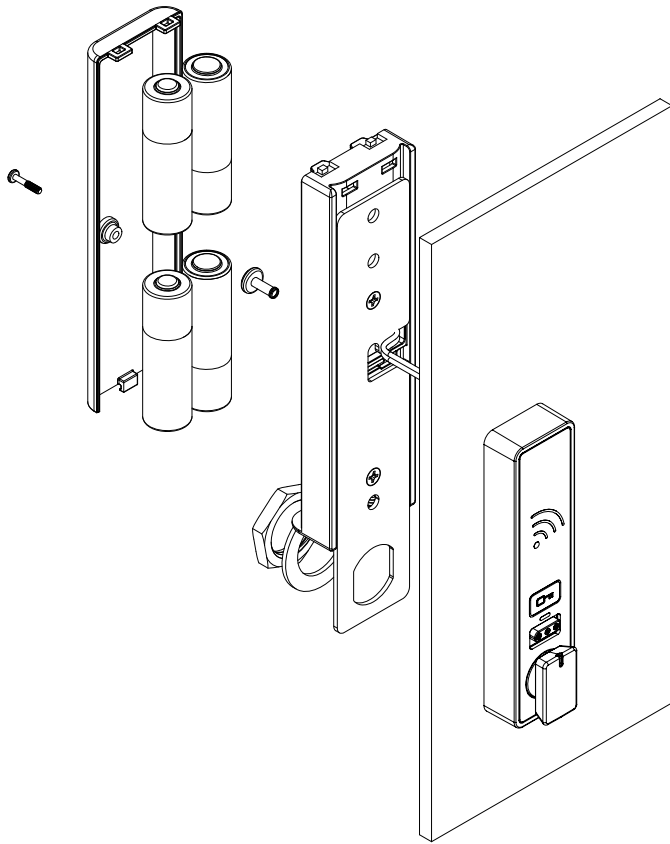


Mortise Template

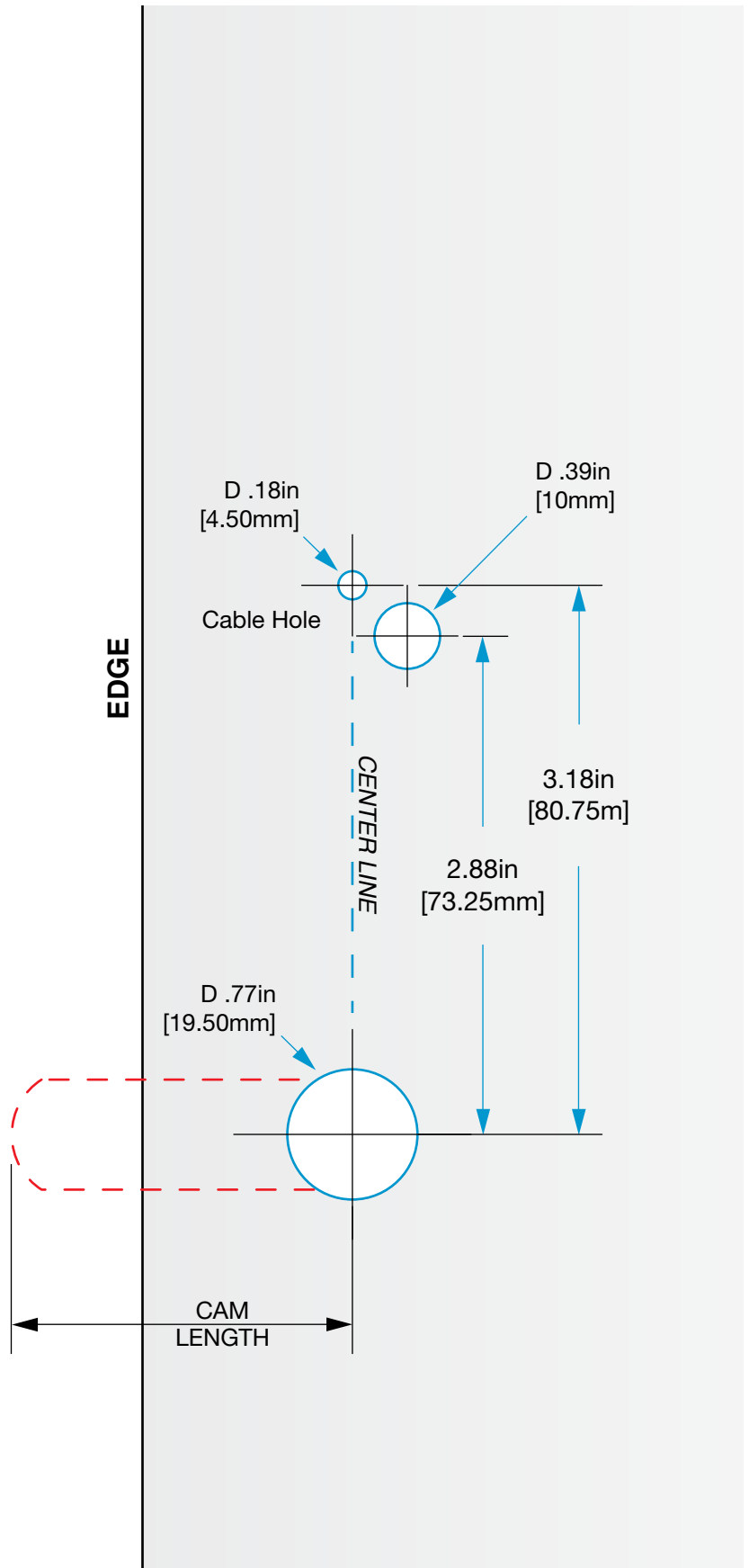


Surface Mount: For Door Thickness up to 25mm

Use Template 3 for Hole Positions and Dimensions



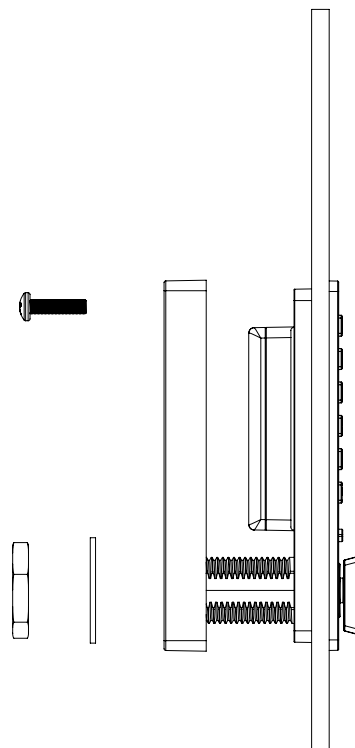
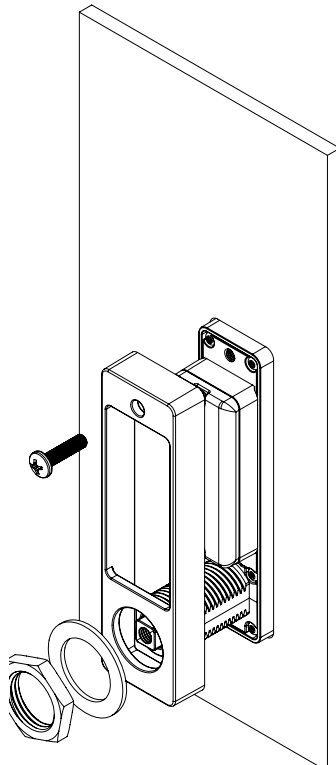
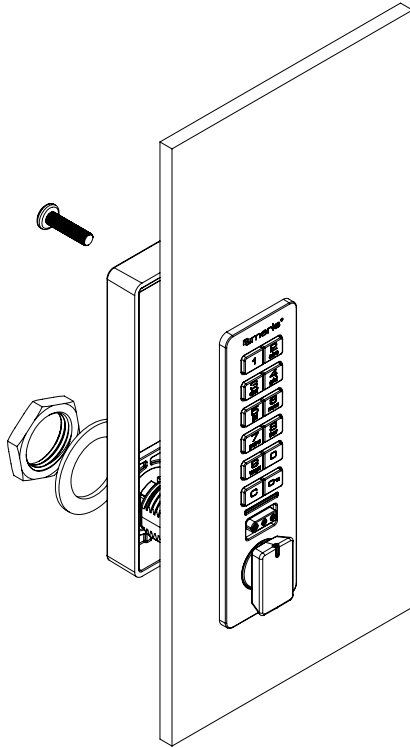
3 Hole Template



Keypad

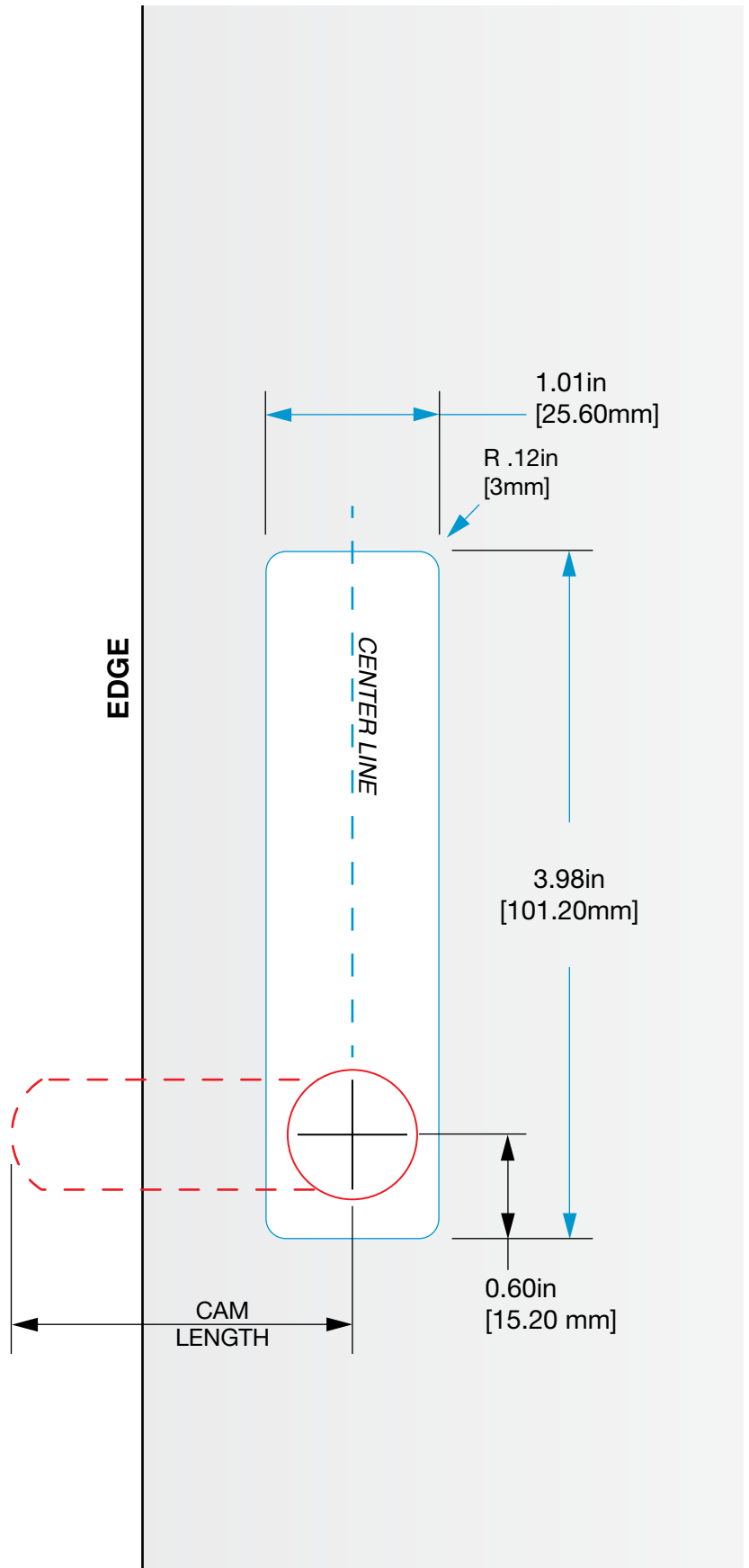
Recess Mount: For Door Thickness less than 10mm

Use Template 1 for Hole Position and Dimensions



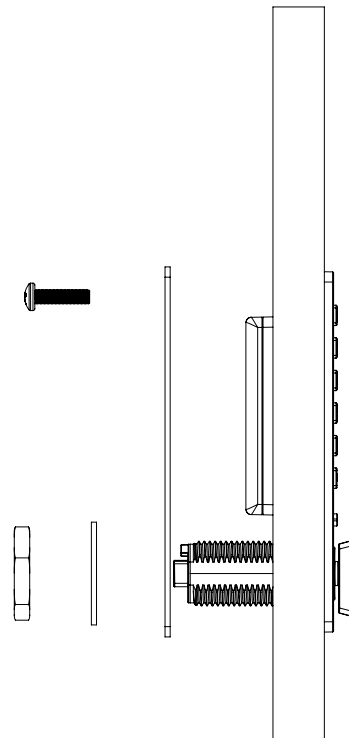
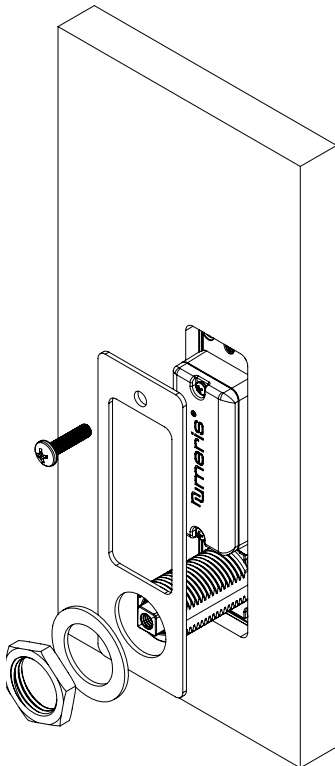
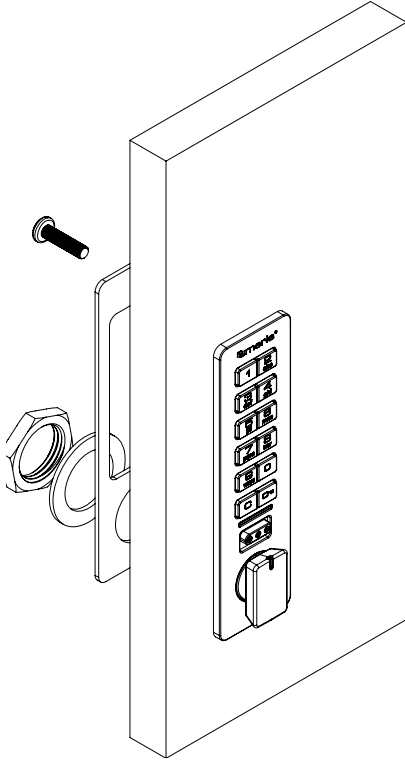


Mortise Template

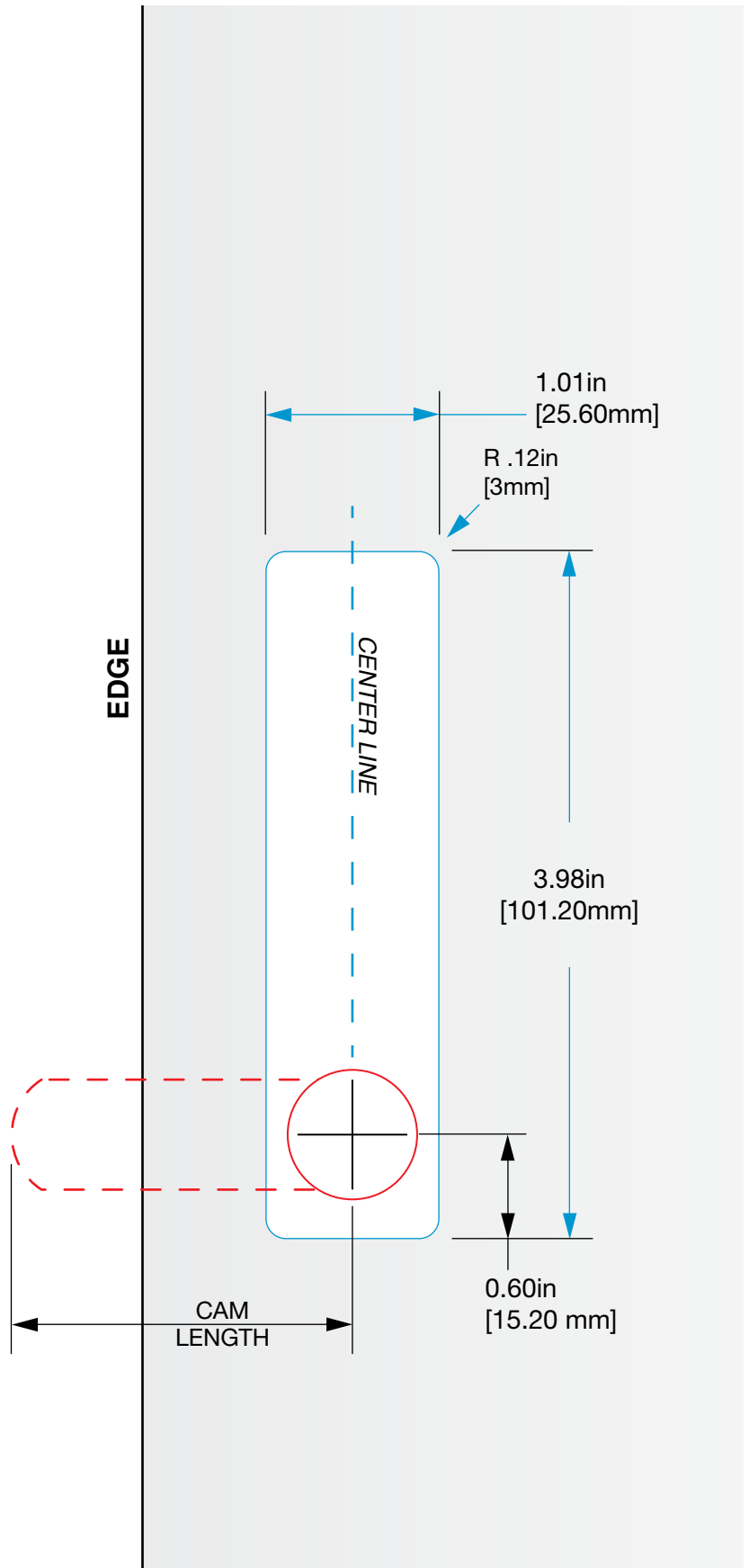


Recess Mount: For Door Thickness between 10-25mm

Use Template 1 for Hole Position and Dimensions

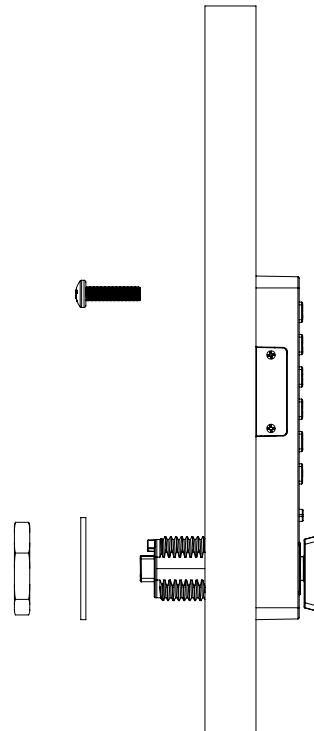
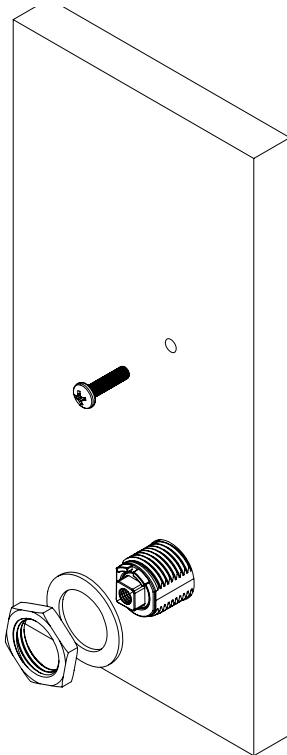
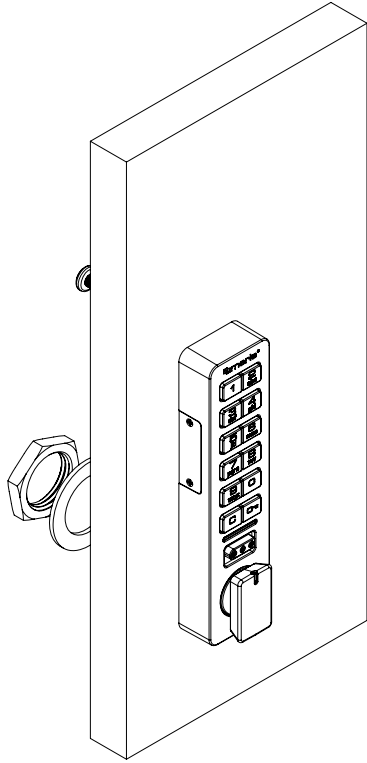


Mortise Template

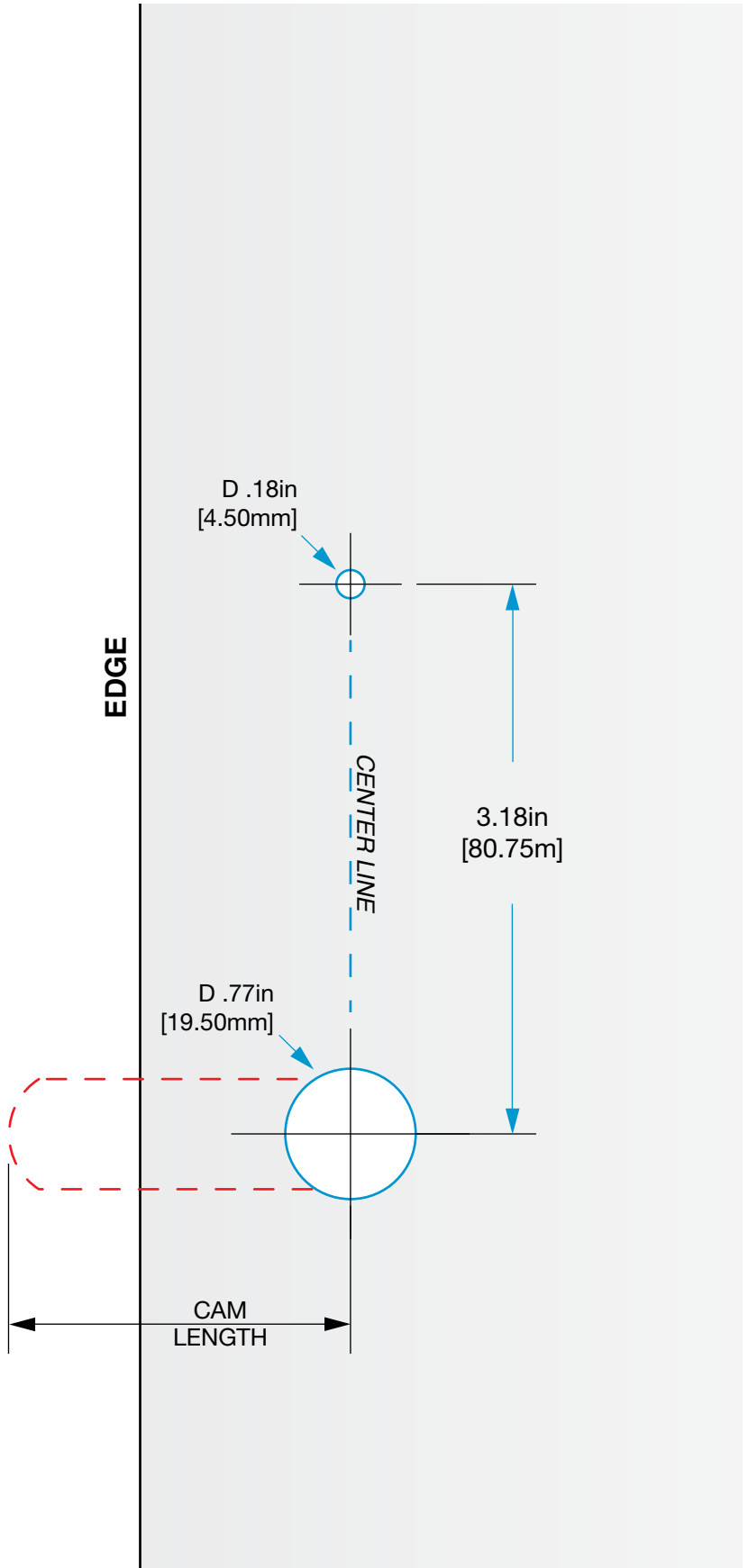


Surface Mount: For Door Thickness up to 25mm

Use Template 2 for Hole Positions and Dimensions

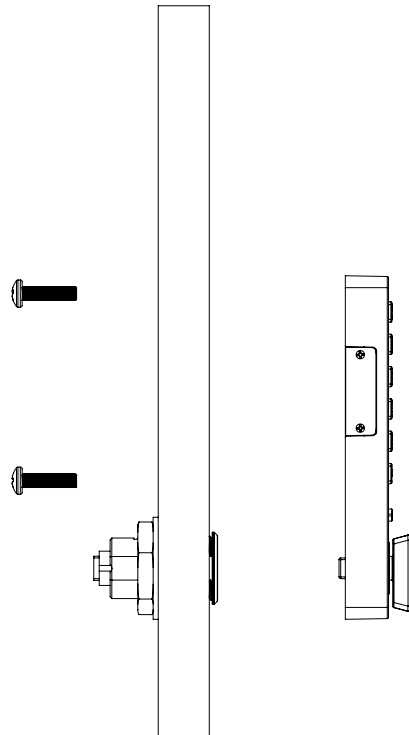
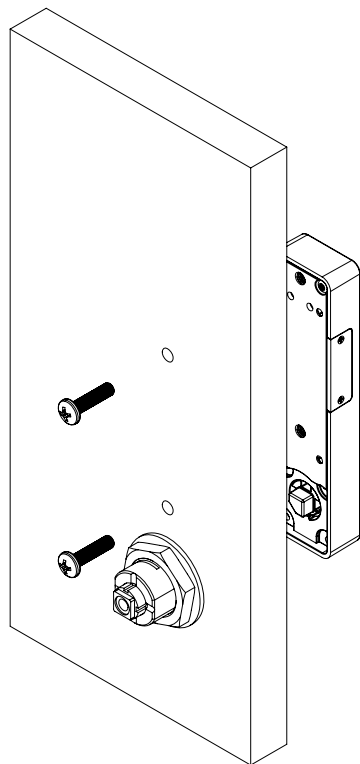
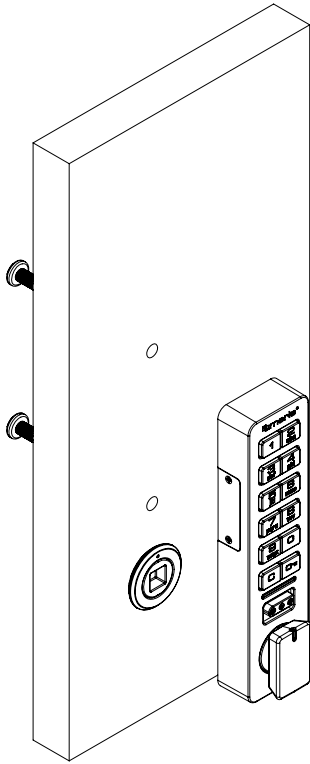


2 Hole Template



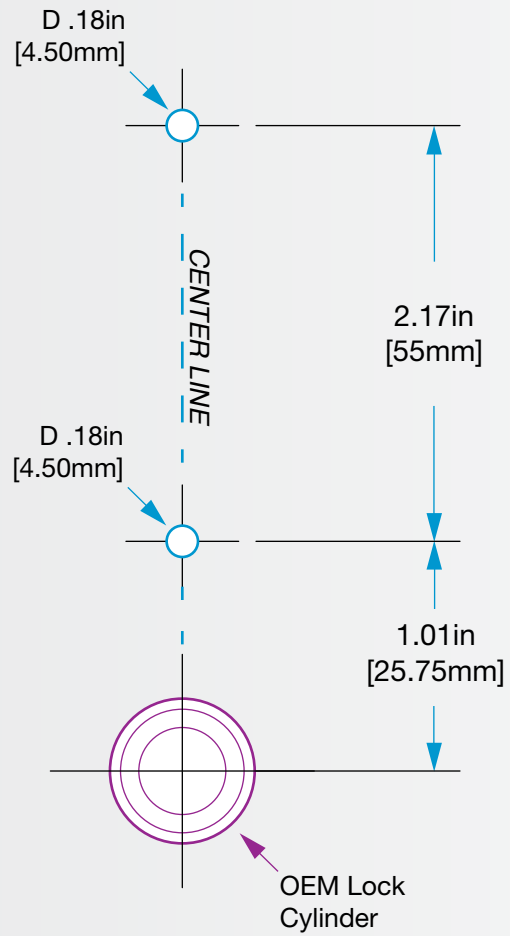
Retrofit Mount: Core Replacement

Use Template 4 for Hole Positions and Dimensions



Core Replacement Template

EDGE



# Digilock®

security simplified®

