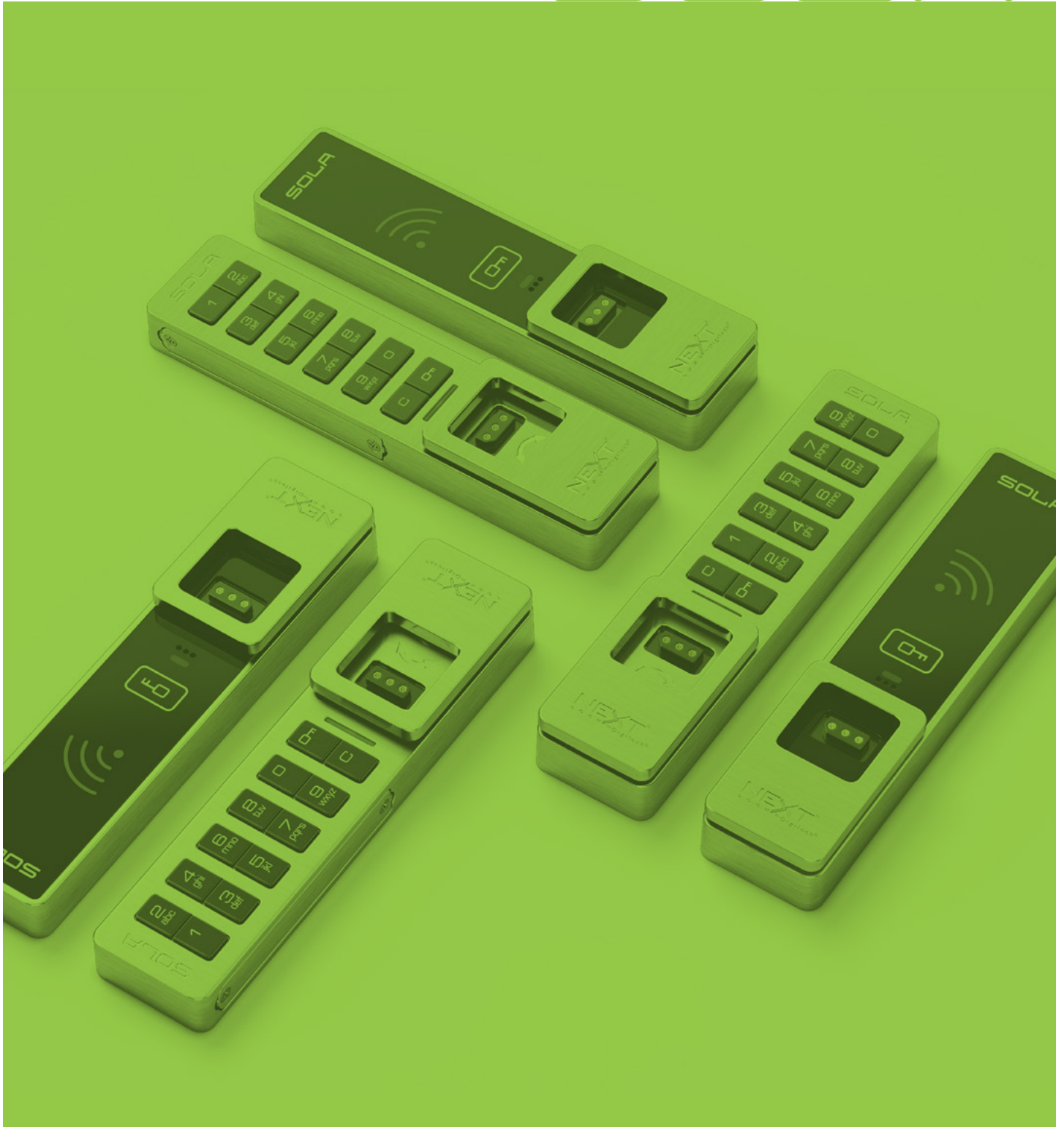


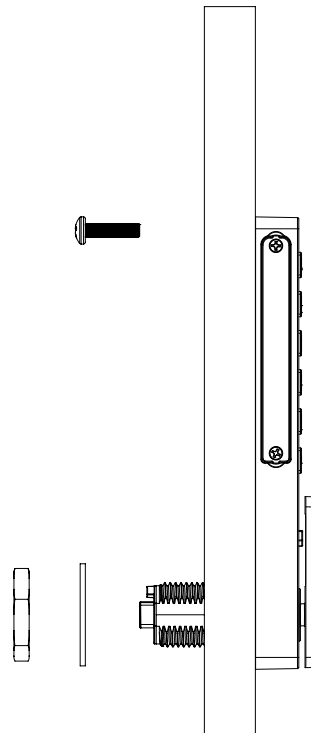
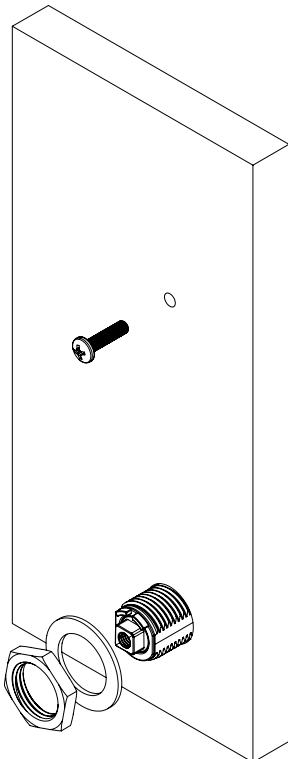
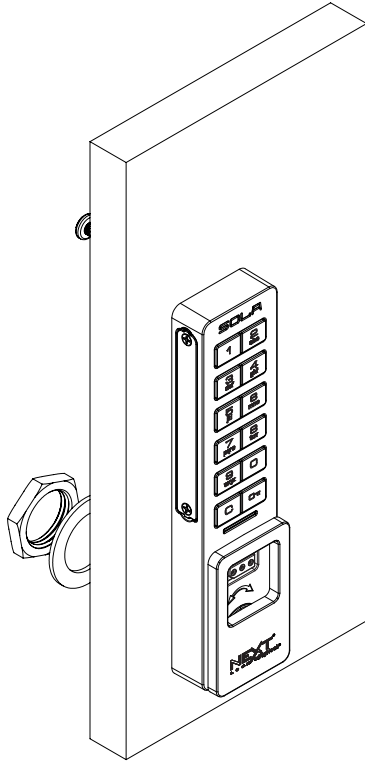
# SOLA<sup>3</sup>



## INSTALLATION & MOUNTING **GUIDE**

Surface Mount: For Door Thickness up to 25mm

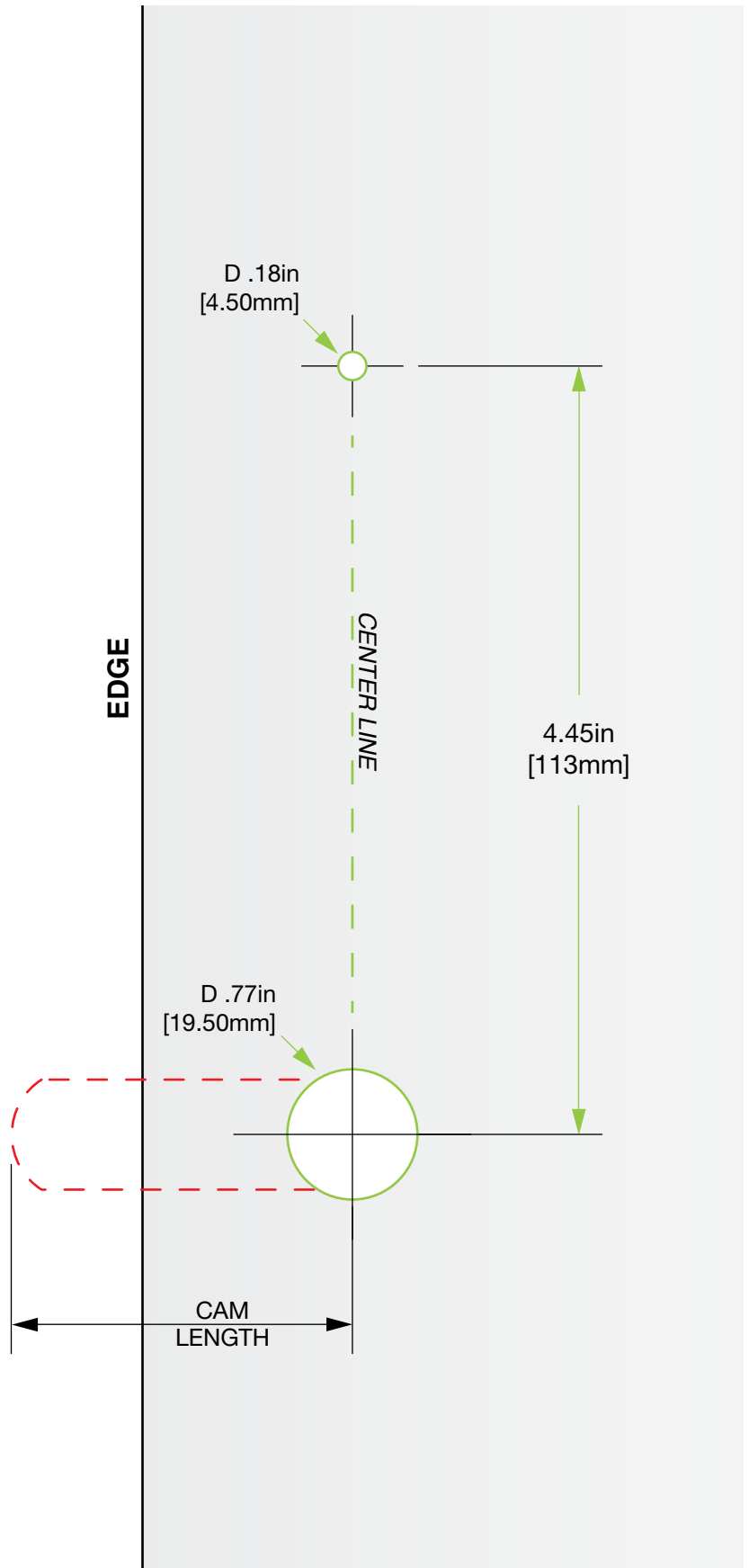
Use Template 1 for Hole Positions and Dimensions



**2 Hole Template**

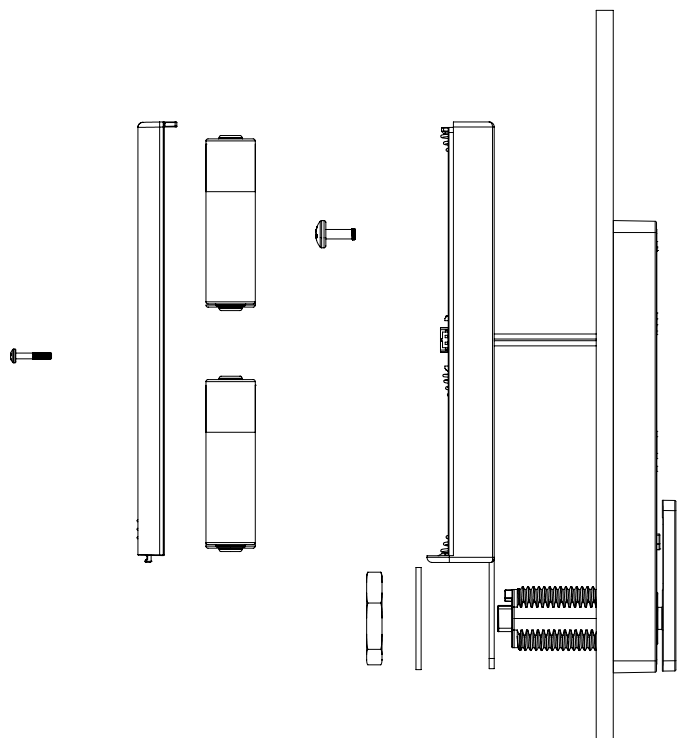
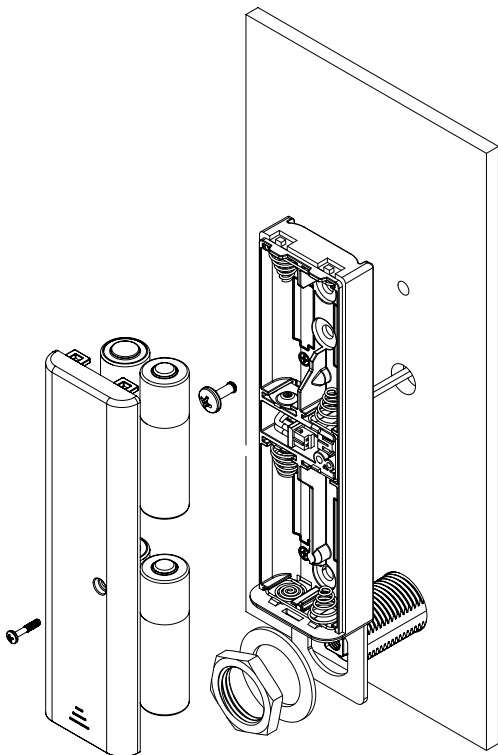
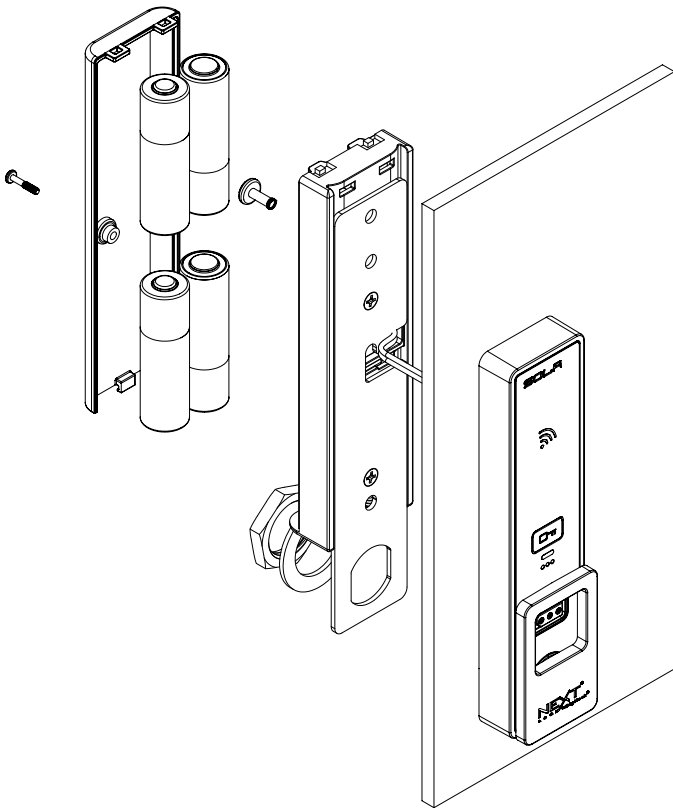
Templates may not print to scale. Check all measurements before proceeding.

⚠ Before printing, turn off auto scaling in printer setup and print at 100%. ⚠



Surface Mount: For Door Thickness up to 25mm

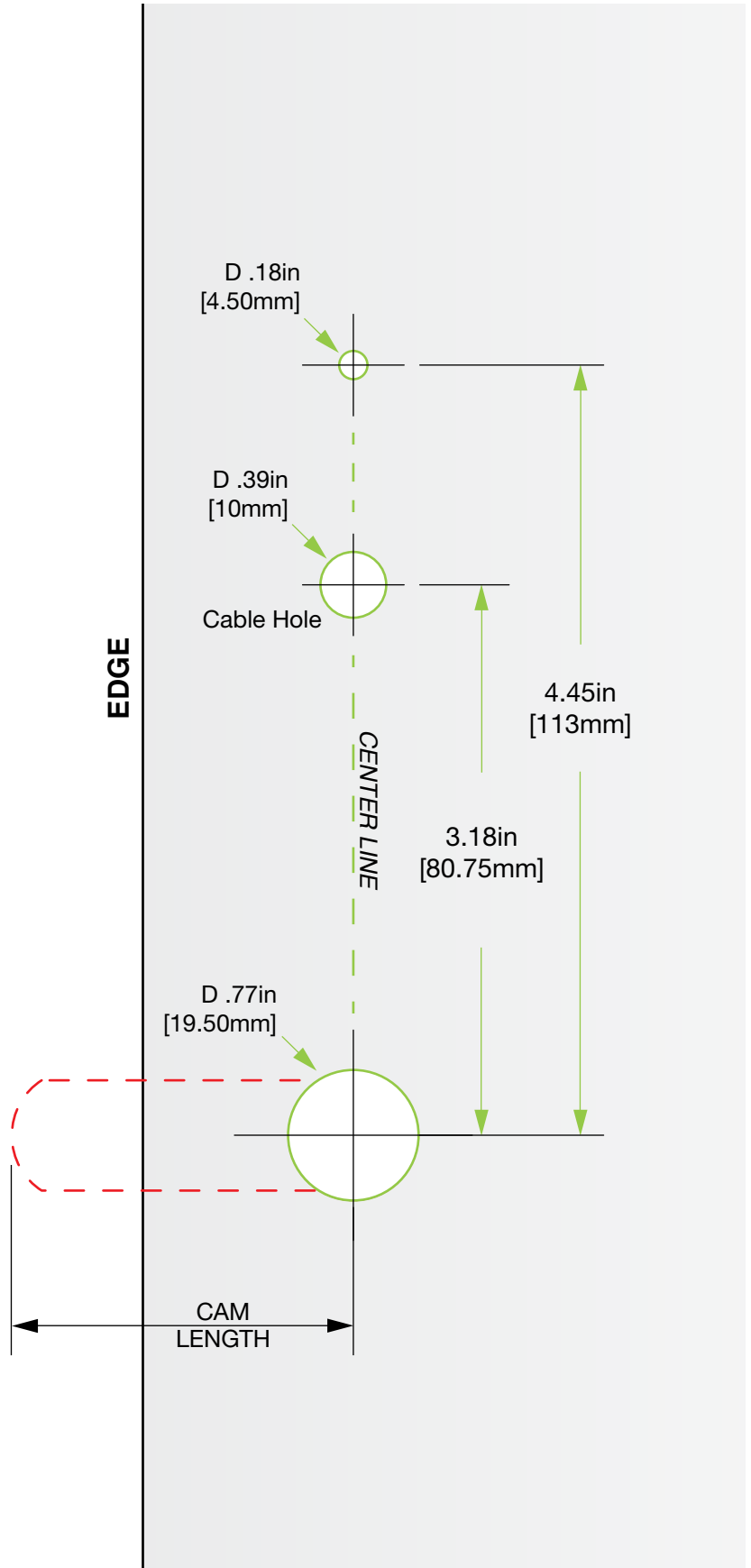
Use Template 2 for Hole Positions and Dimensions



**3 Hole Template**

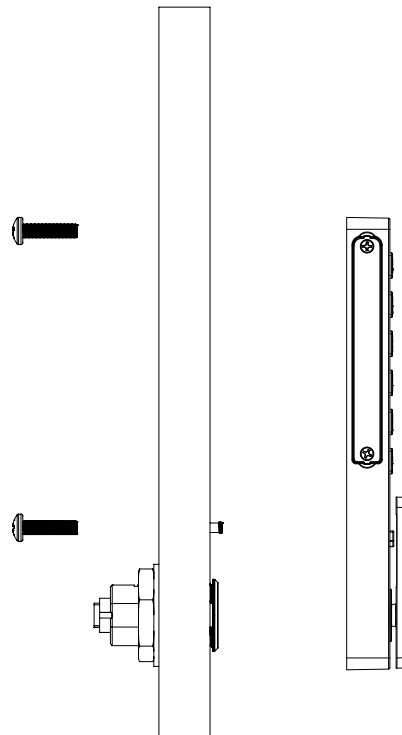
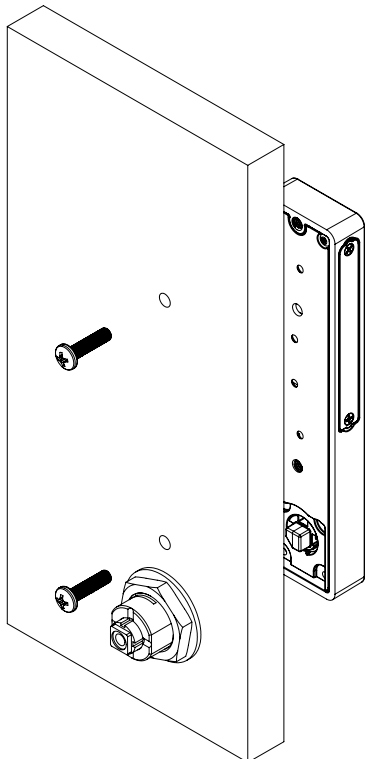
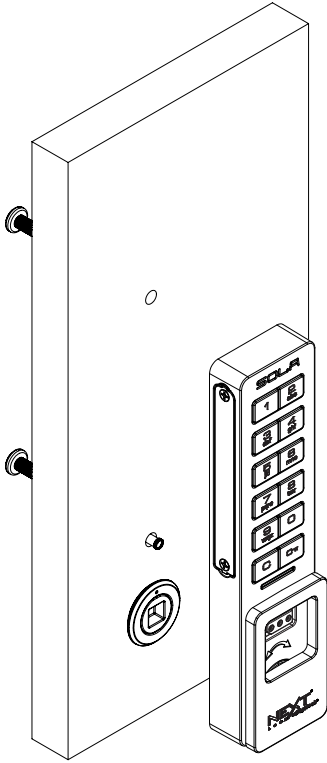
Templates may not print to scale. Check all measurements before proceeding.

**⚠ Before printing, turn off auto scaling in printer setup and print at 100%. ⚠**



Retrofit Mount: Core Replacement

Use Template 3 for Hole Positions and Dimensions

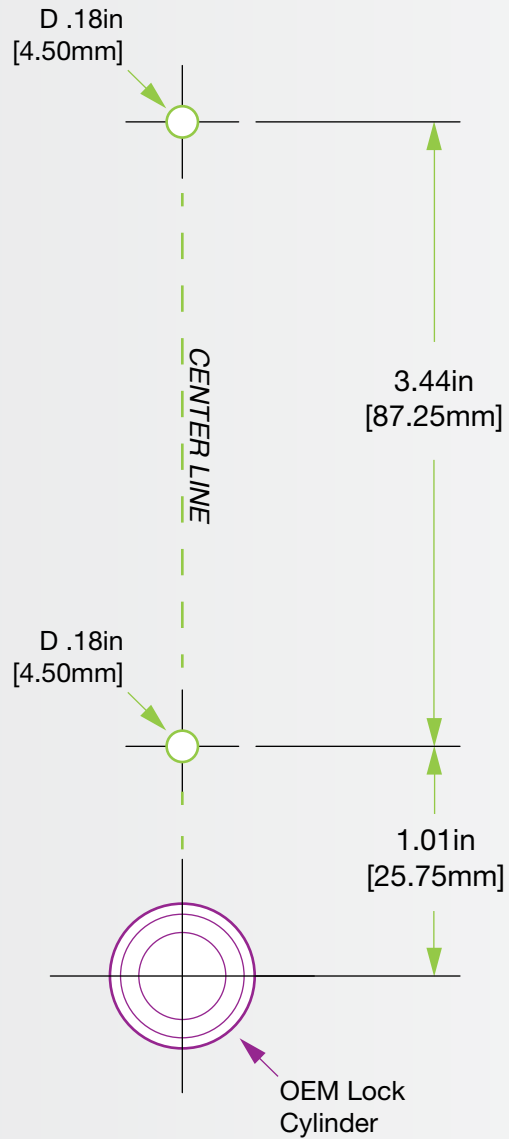


Core Replacement Template

Templates may not print to scale. Check all measurements before proceeding.

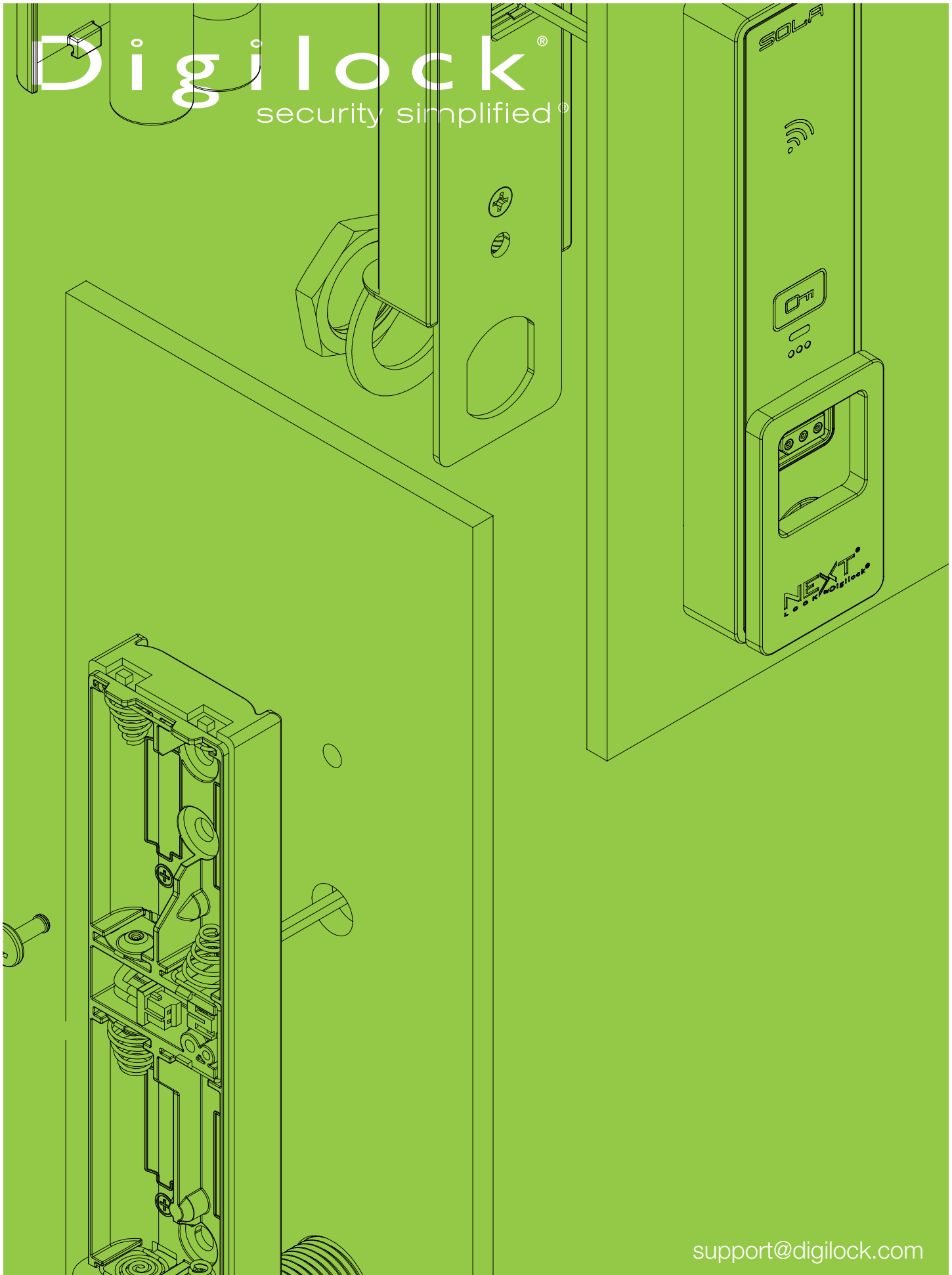
⚠ Before printing, turn off auto scaling in printer setup and print at 100%. ⚠

EDGE



# Digilock®

security simplified®



[support@digilock.com](mailto:support@digilock.com)