

## Office lock for a card

### UZ-CX2172 OVAL

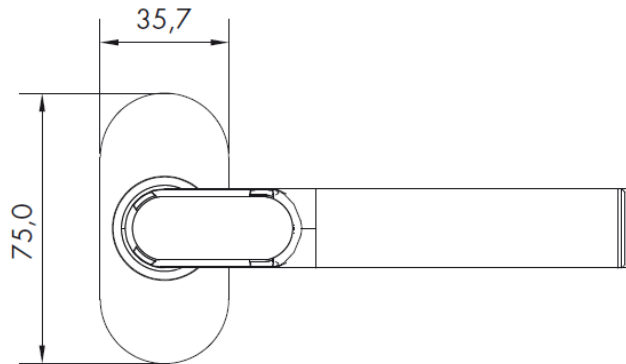


#### OFFICE LOCK FOR A CARD

Whether it's internal, overhead or connecting doors - the UZ-CX2172 is a device with a timeless design in stainless steel - it can be installed in virtually all commercially available doors and can electronically control access to the door. Complete electronics, mechanical parts, LED signaling, as well as power supply - we have all this in one small handle. Installation in the door - no wiring or special tools required - is quick and easy. If necessary, the handle and fittings can be controlled via radio network. Intuitive operation is ensured by optical LEDs (red / green) and acoustic signals. The handle / fittings can be used on any property, e.g. in an office or administrative complex, industrial building, hospital, university, residential property or private residential property.

#### MAIN PRODUCT FEATURES

- ⊕ Modern, minimalist design in stainless steel
- ⊕ Intuitive operation thanks to precise LED signaling
- ⊕ Management via Bluetooth app
- ⊕ Operation via radio network: offline or online
- ⊕ The handle works on the Mifare Classic card, Mifare DESfire 13.56MHz, Legic prime and advant 13.56MHz, EM / HITAG, 125 kHz, 868MHz radio
- ⊕ Complies with common European lock standards
- ⊕ Existing locks can be used
- ⊕ Possibility to choose various forms of handles (form L, form U)
- ⊕ A handle suitable for all wooden, steel and aluminum doors with a narrow or wide frame, with a canopy larger than 20 mm
- ⊕ Electronic handle suitable for all doors with a thickness from 30 mm to 110 mm



- ⊕ No wiring required
- ⊕ Version with Bluetooth® Low Energy available
- ⊕ Certified for emergency exit locks according to DIN EN 179
- ⊕ Suitable for use on glass doors (round rosette)
- ⊕ Possibility of PVD coating in various color variants

## TECHNICAL DATA

Model	UZ-CX2172
Available transponder versions	Mifare Classic card, Mifare DESfire 13.56MHz, Legic prime and advant 13.56MHz, EM / HITAG, 125 kHz, 868MHz radio transmitter
Bluetooth managing	Yes
Dimensions	Compatibility with all European standards
Short rosette dimensions (Length * Width)	170*46mm
Power supply	1 x CR123A 3V battery
Temperature in operating mode	+ 5 ° C to + 55 ° C (internal version) -25 ° C to + 65 ° C (outdoor version)
Storage temperature	-40°C do +65°C
Appliance	Steel, wooden doors (both external and internal, depending on the version of the device)
Standards	<ul style="list-style-type: none"> <li>• prEN 1687:2015</li> <li>• DIN EN 1906:2012</li> <li>• DIN EN 1634-2:2009</li> <li>• DIN EN 60529:2014</li> <li>• DIN EN 179:2008</li> <li>• 2014/53</li> </ul>