

Office lock for a card

UZ-CX2172 SHORT

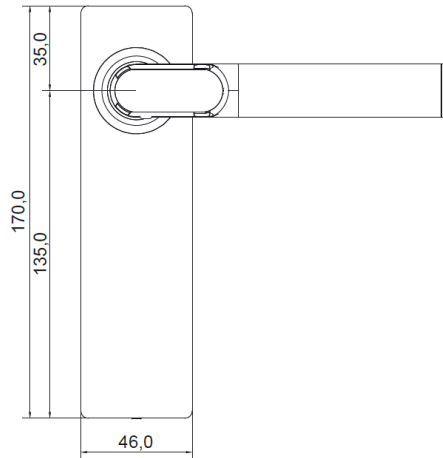


OFFICE LOCK FOR A CARD

UZ-CX2172-Short is especially suitable for installation in fire and smoke-tight doors, holes for drilling holes and standard holes for short holes. Thus, the transition from a mechanical to an electronic system is very quick and easy. The elegant stainless steel construction discreetly adapts to any installation - both just under construction and mine which already exists.

MAIN PRODUCT FEATURES

- ⊗ Modern, minimalist design in stainless steel
- ⊗ Intuitive operation thanks to precise LED signaling
- ⊗ Management via Bluetooth app
- ⊗ Operation via radio network: offline or online
- ⊗ The handle works on the Mifare Classic card, Mifare DESfire 13.56MHz, Legic prime and advant 13.56MHz, EM / HITAG, 125 kHz, 868MHz radio
- ⊗ Complies with common European lock standards
- ⊗ Existing locks can be used
- ⊗ Possibility to choose various forms of handles (form L, form U)
- ⊗ A handle suitable for all wooden, steel and aluminum doors with a narrow or wide frame, with a canopy larger than 20 mm
- ⊗ Electronic handle suitable for all doors with a thickness from 30 mm to 110 mm
- ⊗ No wiring required
- ⊗ Version with Bluetooth® Low Energy available
- ⊗ Certified for fire and smoke-tight doors in accordance with DIN EN 1634
- ⊗ Certified for emergency exit locks according to DIN EN 179
- ⊗ Suitable for use on glass doors (round rosette)
- ⊗ Possibility of PVD coating in various color variants



TECHNICAL DATA

Model	UZ-CX2172
Available transponder versions	Mifare Classic card, Mifare DESfire 13.56MHz, Legic prime and advant 13.56MHz, EM / HITAG, 125 kHz, 868MHz radio transmitter
Bluetooth managing	Yes
Dimensions	Compatibility with all European standards
Short rosette dimensions (Length * Width)	170*46mm
Power supply	1 x CR123A 3V battery
Temperature in operating mode	+ 5 ° C to + 55 ° C (internal version) -25 ° C to + 65 ° C (outdoor version)
Storage temperature	-40°C do +65°C
Appliance	Steel, wooden doors (both external and internal, depending on the version of the device)
Standards	<ul style="list-style-type: none"> • prEN 1687:2015 • DIN EN 1906:2012 • DIN EN 1634-2:2009 • DIN EN 60529:2014 • DIN EN 179:2008 • 2014/53