



Wall reader

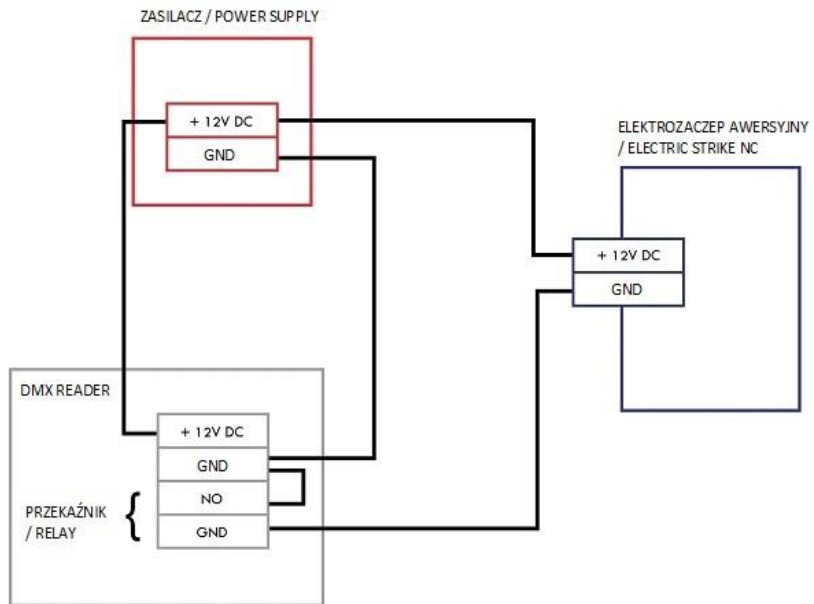
DMX-2

WALL READER

External reader / controller cooperating with the electronic Wano Offline Hotel Locks hotel lock system. The reader makes it possible to protect zones exposed to atmospheric conditions and places set for high traffic.

MAIN PRODUCT FEATURES

- ⊕ Works on 13.56MHz Mifare cards
- ⊕ Designed for surface mounting, both external and external
- ⊕ Protection class IP66
- ⊕ The set includes an external reader and instructions
- ⊕ Power 12V DC
- ⊕ Includes built-in NC / GND / NO relay
- ⊕ Works with FLOCK software
- ⊕ Finish: ABS, PVC



TECHNICAL DATA

Model	DMX-2
Working mode	FLOCK System
Type of RFID cards	Mifare 13,56 MHz
Protection level	IP66
Power	12 V DC
Static power consumption	80µA
Dynamic power consumption	580µA