

Lock for glass doors

UZ-GL-JO

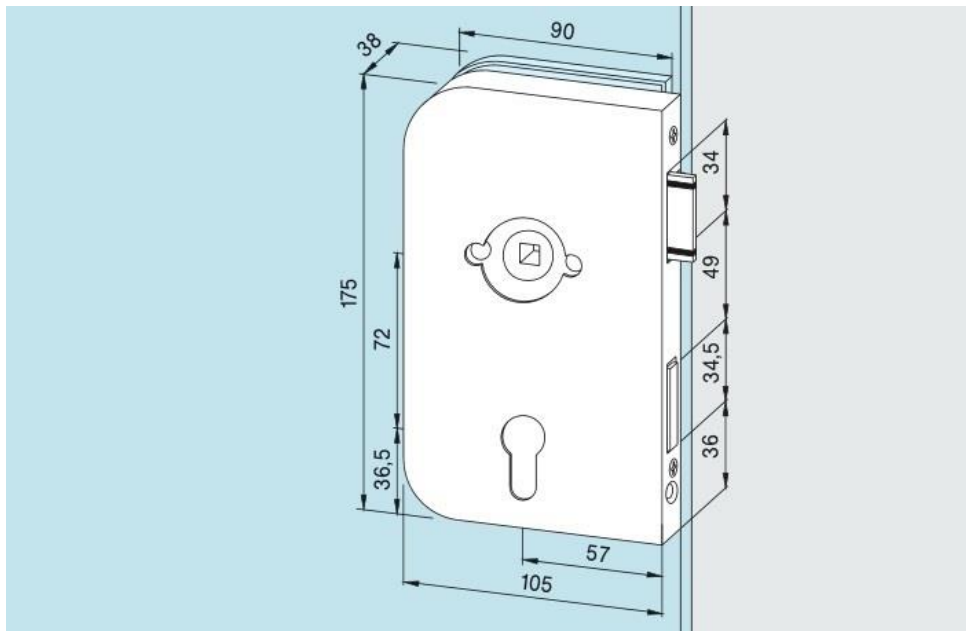


LOCK FOR GLASS DOORS

The UZ-GL-JO electronic glass door lock, made in a timeless stainless steel design, can be installed in virtually all commercially available doors and electronically controlled access to the door. Complete electronics, LED signaling, and power supply - all this is contained in one small handle. Mounting in the door - no wiring or special tools required - is quick and easy. If there is a need, the UZ-GL-JO lock and fittings can be controlled via the radio network. Intuitive operation is ensured by optical LEDs (red / green) and acoustic signals. UZ-GL-JO - a card lock for glass doors can be used in many different facilities, e.g. in an office or administrative complex, industrial building, hospital, university, residential real estate or private residential real estate.

MAIN PRODUCT FEATURES

- ⊕ Modern, minimalist design in stainless steel
- ⊕ Intuitive operation thanks to precise LED signaling
- ⊕ Management via Bluetooth app
- ⊕ Operation via radio network: offline or online
- ⊕ The handle works on the Mifare Classic card, Mifare DESfire 13.56MHz, Legic prime and advant 13.56MHz, EM / HITAG, 125 kHz, radio transmitter 868MHz
- ⊕ It complies with the common European standards for locks
- ⊕ Existing locks can be used
- ⊕ Possibility to choose various forms of handles (form L, form U)
- ⊕ A handle suitable for all wooden, steel and aluminum doors with a narrow or wide frame, with a canopy larger than 20 mm



- ⊕ Electronic handle suitable for all doors with a thickness from 30 mm to 110 mm
- ⊕ No wiring required
- ⊕ Version with Bluetooth® Low Energy available
- ⊕ Certified for fire and smoke-tight doors in accordance with DIN EN 1634
- ⊕ Certified for emergency exit locks according to DIN EN 179
- ⊕ Suitable for use on glass doors (round rosette)
- ⊕ Possibility of PVD coating in various color variants

SET CONTAINS

- ⊕ Fitting for glass doors, model JO
- ⊕ External handle CX2172 with a proximity reader and a battery container - 1 pc.
- ⊕ Internal mechanical handle
- ⊕ Round rosette with a punch on request
- ⊕ CR123A battery
- ⊕ A set of screws
- ⊕ Pin - 7 | 8 mm - on request