

Lock for glass doors

iH-GL-JO

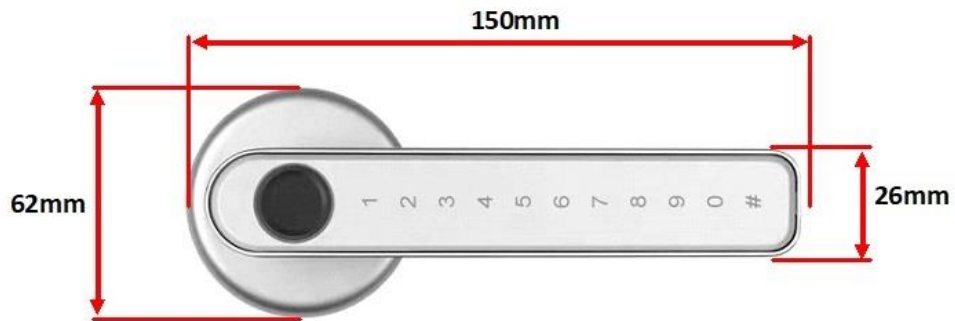
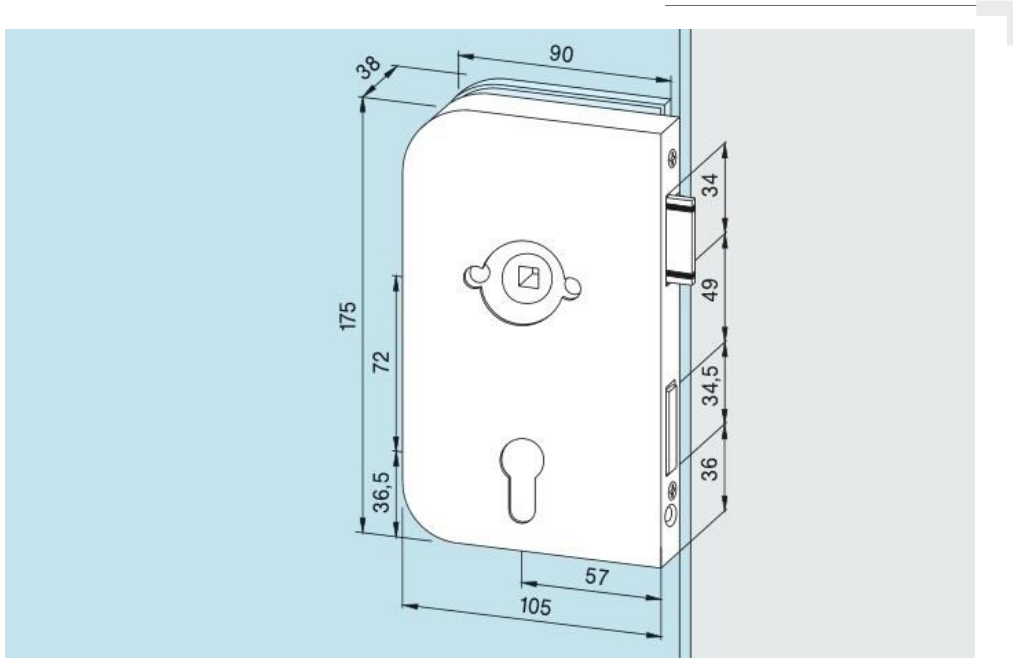


LOCK FOR GLASS DOORS

iH-GL-JO is an electronic lock for glass doors that works with a PIN code, TTlock application, a fingerprint and a mechanical key. It fits both left and right hand doors, both inside and outside. It does not require additional wiring because it works on batteries, and thanks to its minimalist design it will perfectly match the surroundings.

MAIN PRODUCT FEATURES

- ⊕ The lock is designed for glass doors
- ⊕ The management is done through the PIN code, TTlock application, mechanical key and fingerprint
- ⊕ Application: office
- ⊕ Stainless steel and PVC finish
- ⊕ Door thickness: 6-10mm



THE SET CONTAINS

- ⊗ Fitting for glass doors, model JOC
- ⊗ Electronic handle for PIN code, TTlock app, fingerprint and mechanical key
- ⊗ Internal mechanical handle
- ⊗ Round rosette with a punch on request
- ⊗ A set of screws
- ⊗ spindle - 8 mm