

BO-DSN-50P

Portable Turnstile



SAFETY
LEVEL

AESTHETICS

COSTING

Description

- Nebula DSN-50P portable turnstile e is the most cost-efficient in all type turnstiles.
- The most obvious feature is the turnstile + base + bar and with 2 rollers type, and it can be using the turnstile on fair grounds or grass, not bolted down or affixed at all. Wherever portable control of pedestrian traffic is necessary, the turnstiles will perform flawlessly.
- At the top, it's covered by a high black tempered glass, show up an attractive and impressive character.
- The tempered glass top cover and swiping card panel is incorporated into the traditional stainless steel design. The combination of tradition and modern art will definitely brighten up our vision and bring an unexpected surprise.
- The full stainless-steel body is surrounded with dazzling decorative LED light bar which bring out an aesthetic and distinctive sense.
- Superior production: Integrated mold production to ensure the high quality guaranteed.
- Welding: adopt Robot for weld to improve the high technological level.
- It is ideal for both indoor and outdoor settings.
- In case of emergency, tripod turnstile horizontal arms will drop down automatically to allow free passage when power off.



We don't only offer turnstile gates
We offer full access control solutions

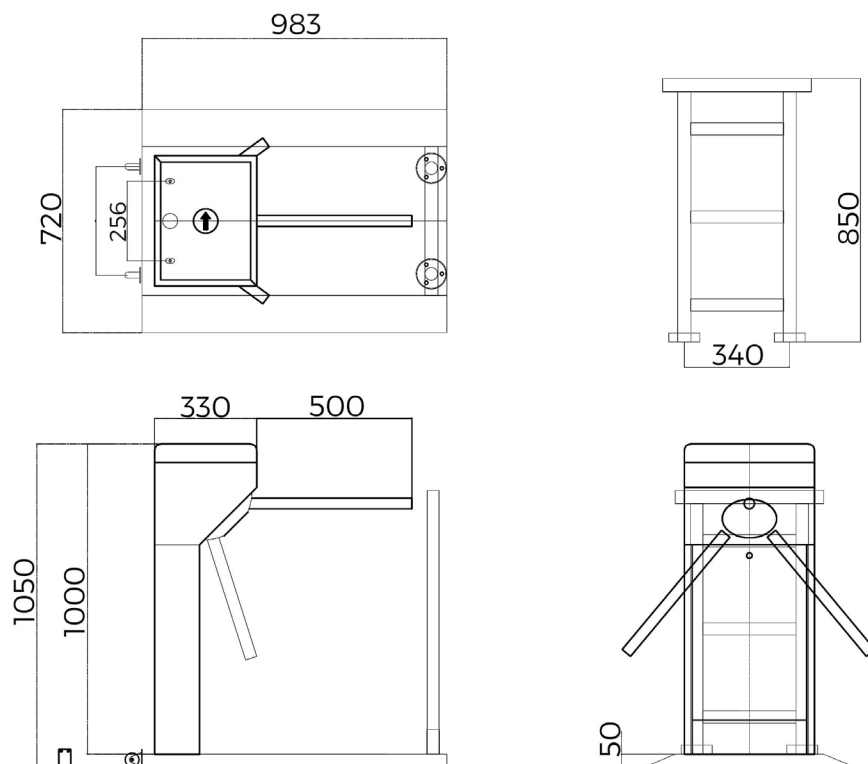
Features

- ✓ Long-life performance, high operation dependability and fast response.
- ✓ The whole system runs smoothly, low noise, no mechanical impact.
- ✓ Single directional or Bi-directional is selectable.
- ✓ Only one person can pass at one time, to prevent the illegal following
- ✓ Automatic reset function: turnstile arm will lock automatically within 5s (can be setting) if passenger delay to entry.
- ✓ When power is off, arms will drop down automatically, which is complying with fire safety requirements.
- ✓ LED indicator (red means no entry; green means entry; blue means normal close).
- ✓ It has standard relay signal, which can be integrated with any kind of third-party access control system (e.g.: RFID, Fingerprint and Biometric reader device).
- ✓ It is suitable for areas with general pedestrian traffic (e.g.: Hotel, Gym, Building, Shopping mall, Reception Area and so on).
- ✓ Easy to install and maintain.
- ✓ 3-year warranty support.



Specification

Model No.	BO-DSN50P
Type	Portable turnstile
Certificates	Compliance CE, ROHS
Communication	Dry contact, relay signal, RS485
Framework material	304 stainless steel + high quality tempered glass
Arm material	304 brushed stainless steel + rubber gasket
Net weight	50kg/pcs
Dimensions	Turnstile: 360*260*980mm Base: 983*720*50mm Bar: 340*850mm
Passage width	550mm (Arm length: 500mm)
Passage direction	Unidirectional / bidirectional
Power supply	AC 220V/110V, 50/60Hz
Operation voltage	24V DC
Power consumption	20W
Working temperature	-20°C - 75°C
Humidity	0 ~ 95% (No freeze)
Working environment	Indoor / Outdoor
Flow rate	40 people per minute
LED Indicator	Unique blue LED strip (front + top)
Emergency	In case of power failure arms will be folded automatically
Integration	With any access control system



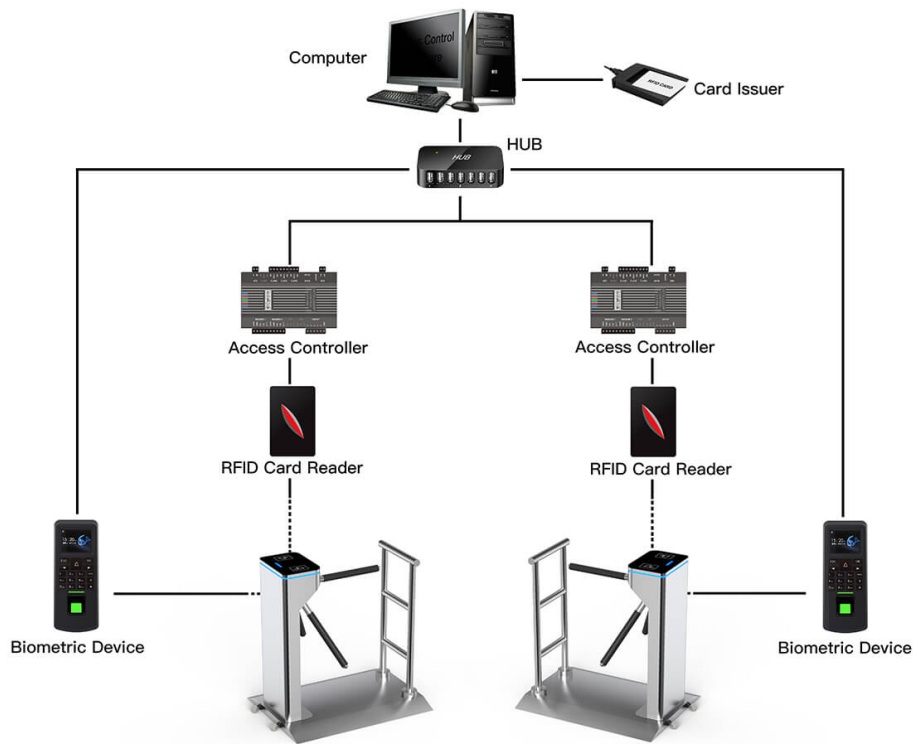
DSN-50P



Portable turnstile is the unique type design: turnstile + base + bar and with 2 rollers, and it can be using the turnstile on fair grounds or grass, not bolted down or affixed at all, for easy maneuvering. Wherever portable control of pedestrian traffic is necessary, the turnstiles will perform flawlessly.



System Integration Figure



DSN-50P Portable Turnstile

REMARK:

- The turnstile circuit board support to work with any relay signal, and support to integrated with any 3rd party access control system: RFID, BIOMETRIC, QR/BARCODE and so on.
- Multiple access controller board can be connected by TCP/IP through net cable, control by central computer.
- The turnstile circuit board is also with RS232 output, it can connect with mini PC. Turnstile will open once received simple code by computer, which is suitable for the complicated like ticketing system solution.

Portable turnstile the most obvious feature is the unique type design: turnstile + base + bar and with 2 rollers, and it can be using the turnstile on fair grounds or grass, not bolted down or affixed at all, for easy maneuvering. Wherever portable control of pedestrian traffic is necessary, the turnstiles will perform flawlessly.



One Lane



Two Lanes



Three Lanes



*ul. Jana III Sobieskiego 80B
62-030 Luboń, Polska*

tel. 61 307 22 35

email: biuro@wano.pl

www.wano.pl