



BU-DS202A
Disabled (Swing) Gate
SINGLE / BI-DIRECTION

SAFETY
LEVEL

AESTHETICS

COSTING

Description

- The advantage of optical disable swing gates is that the passage width can reach to 900mm, which support handicapped type with wide passageway, wheelchair, and pedestrian with large luggage all can pass.
- The body is made of brushed stainless steel which is robust, rigid, anti-rust, waterproof and durable.
- Have an ergonomically designed cabinet, rounded edges without elements that may cause harm to users.
- It has standard relay signal, which can be integrated with any kind of third-party access control system (e.g.: Validator, RFID, Fingerprint and Biometric reader device).
- Automatic release interrupting the power supply in the event of emergency.
- Anti-tailing function: only one person passes at one time.
- It is suitable for areas with general pedestrian traffic (e.g.: Hotel, Metro Station, Building, Bank, Mall, Reception Area).

Features

- ✓ Long-life performance, high operation dependability and fast response.
- ✓ The whole system runs smoothly, low noise, no mechanical impact.
- ✓ Single directional or Bi-directional is selectable.
- ✓ Automatic reset function: swing arms will lock automatically within 5s (can be setting) if passenger delay to entry.
- ✓ When power is off, swing arms will open automatically, which is complying with fire safety requirements.
- ✓ LED indicator (red x means no entry; green → means entry).
- ✓ Infrared sensor alarm function, in case of illegal intrusion and reverse intrusion.
- ✓ Anti-intrusion function, the speed gate is locked automatically until valid opening signal input.
- ✓ Anti-reverse function, the turnstile alarms if someone wants to entry in the reverse direction.
- ✓ Anti-trailing function, the speed gate alarms if someone wants to burst in without permission.
- ✓ Anti-collision and anti-kick function, it designed with consolidated and more durable mechanism, will not break even someone collide it.
- ✓ Mechanism self-protection: the arm will reset automatically if is off position. It's movement will not be broken or damaged even after hit.
- ✓ It has the fastest open and close speed rate and can be adjusted.
- ✓ Easy to install and maintain.
- ✓ 3-year warranty support.



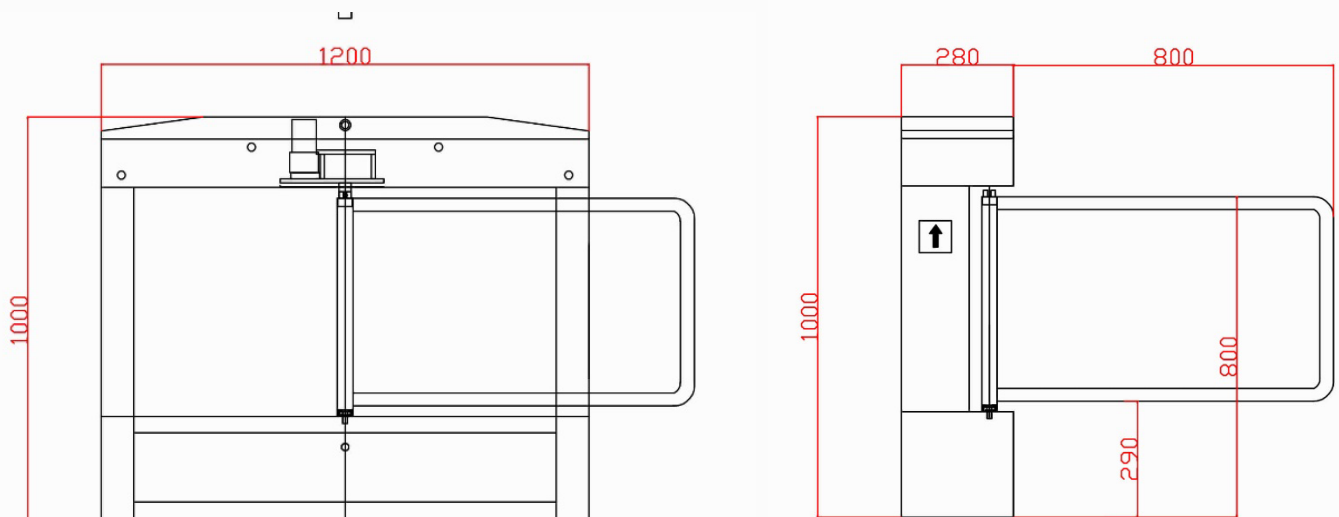
We don't only offer turnstile gates

We offer full access control solutions



Specification

Model No.	BU-DS202A
Type	DISABLED (SWING) GATES
Flexibility	Integrate with any access control
Framework Material	304 Stainless Steel
Arm material	Plexiglas-transparency with Stainless steel
Dimension	1200 * 280 * 1000mm
Net Weight	70kg/pcs
Passage Width	900mm (handicap)
Passing Direction	Single directional / Bi-directional
MCBF	10 million
Power Supply	AC220V/110V, 50/60Hz
Operation Voltage	24V DC
Power Consumption	40W
Operation Temperature	-20 °C - 75 °C
Operation Humidity	0 ~ 95% (No freeze)
Working Environment	Indoor / Outdoor (shelter)
Flow Rate	35-40 people per minute
LED Indicator	Two LED indicators on top: green → entry, red × no entry
Infrared Sensor	4 pairs (standard)
Emergency	Automatic arm open when power off
Communication	Dry contact, Relay signal, RS485
Certification	Compliance CE





- Validator**

Support integration of two pole-mounted validators on top of each cabinet
- Barcode /QR scanner**

Connect with mini PC or access controller to use

Support phone or paper Barcode/QR
- RFID Card**

All kinds of RFID card reader, such as Mifare, EM cards, HID card, Key Fob, Wristband...
- Biometric Device**

Support Fingerprint, RFID card, password

Popular and secure access control solutions
- Key Fob**

RFID type, mainly use in apartment
- Card Collector Machine**

The solution is mainly used in park, building for visitor
- Wristband**

RFID type, mainly used in swing pool and gym
- Coin Insert**

The solution is mainly for bus stations or toilet
- Wheel**

Integrated on turnstile for movable and portable
- Button**

Exit by freely passing/ push button
- 3rd Party Access Controller**

Any 3rd party access controller can integrate with all our turnstiles

BU-DS202A Disabled Swing Gate working with DS103C Bidirectional Turnstile

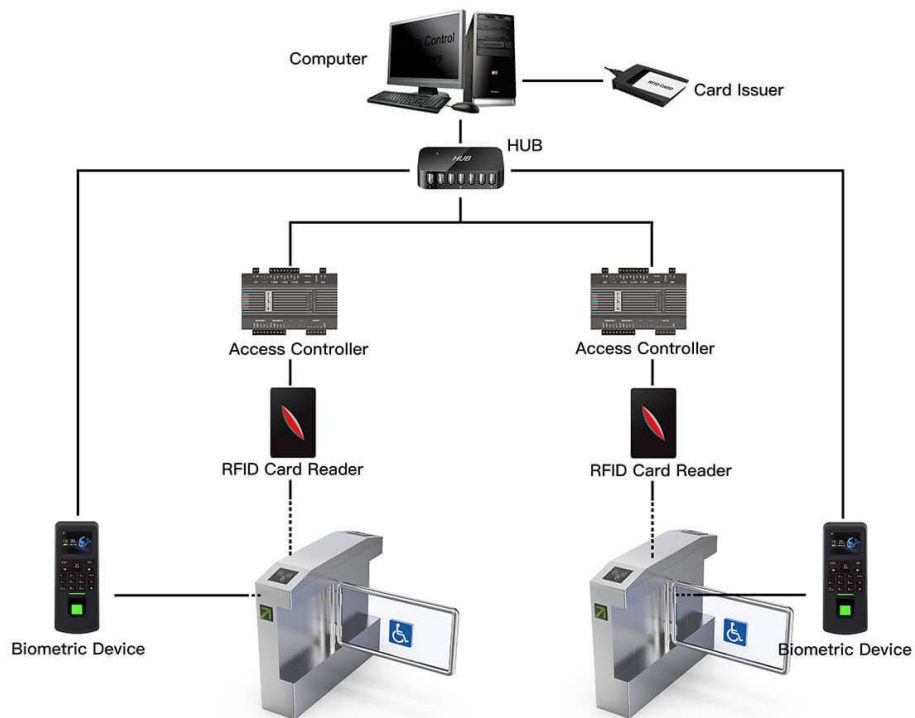


BU-DS202A **Disabled Swing Gate**

Model BU-DS202A passage width can reach to 900mm, which is suitable for handicapped person or pedestrians with luggage. Also support the integrated with D8 validator work together.



System Integration Figure



REMARK:

- The turnstile circuit board support to work with any relay signal, and support to integrated with any 3rd party access control system: RFID, BIOMETRIC, QR/BARCODE and so on.
- Multiple access controller board can be connected by TCP/IP through net cable, control by central computer.
- The turnstile circuit board is also with RS232 output, it can connect with mini PC. Turnstile will open once received simple code by computer, which is suitable for the complicated like ticketing system solution.

Disable gate outstanding feature: ergonomically designed cabinet, rounded edges without elements that protect people safety passing.



One Lane



Two Lanes with Handicapped Access



Three Lanes with Handicapped Access