



Catalog card BW-411 BLACK

SECURITY

DESIGN

PRICE

DESCRIPTION

- The high gate BW-411 BLACK provides high-quality access control.
- Made of brushed stainless steel.
- It is suitable for installation in both indoor and outdoor environments.
- It has a relay signal that can be integrated with external access control systems (e.g., RFID reader, biometric reader, etc.).
- Compatibility with external devices such as: display, reader, facial recognition, entry/exit button, card collector, coin acceptor, barcode reader.
- Automatic opening of the passage in case of power loss.
- Only one person will pass in one cycle.

MAIN FEATURES

- Long lifespan, high reliability, fast operation.
- If necessary, the gateway can operate in manual mode.
- Quiet operation.
- One-way and two-way work capability.
The gate will automatically block if a passerby does not pass through the gate within 5 seconds (can be adjusted).
- LED indicator (red × means no access; green → means access has been granted).
- Easy installation



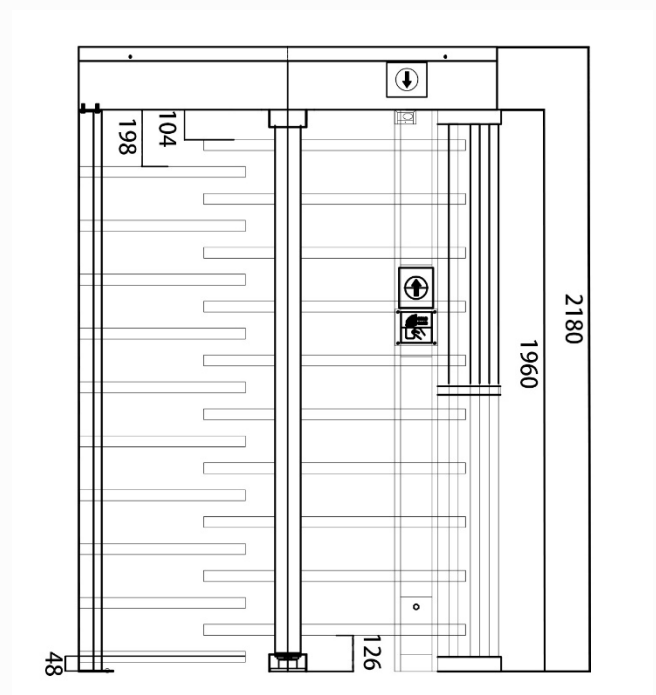
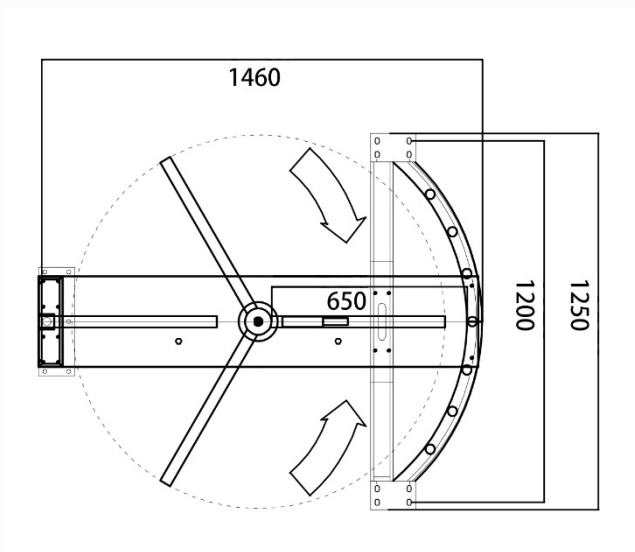
We offer not only revolving gates

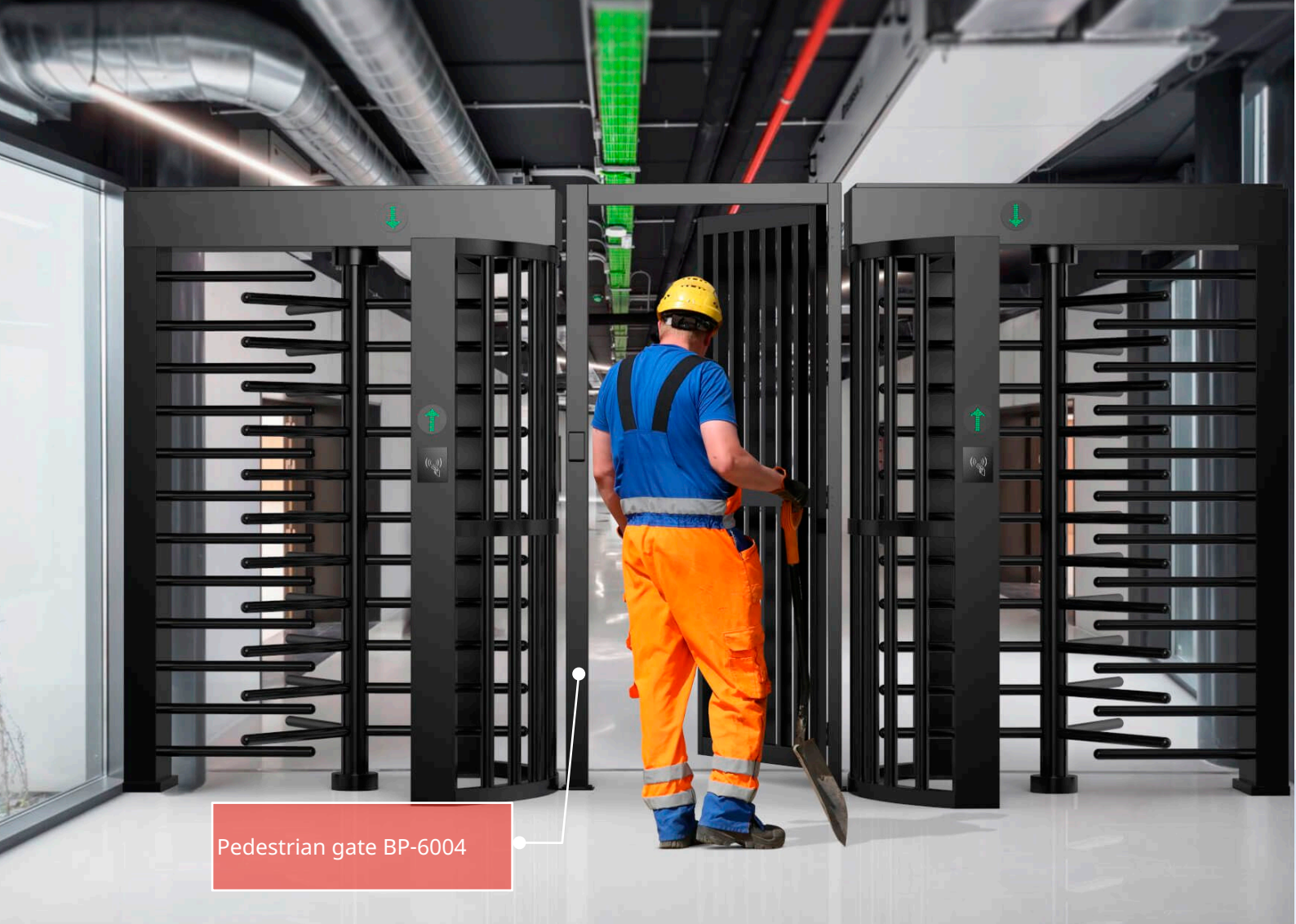
We offer complete access control solutions



SPECIFICATION

Model	BW-411 BLACK
Type	High gate
Communication	Potential-free contact, relay signal, RS485
Housing execution	Brushed stainless steel powder coated
Dimensions	1460*1250*2180mm
Net weight	200 kg
Width of passage	650mm
Direction of work	One-way / Two-way
Power Supply	AC220V/110V, 50/60Hz
Voltage	24V DC
Power consumption	40W
Operating temperature	-15 °C - 60 °C
Work humidity	0 ~ 95%
Work environment	Internal / External
Throughput	35-40 people per minute
Emergency mode operation	Automatic opening of the passage in case of power loss
Integration possibility	Any access control system





The high gate BW-411 BLACK is suitable for installation in both indoor and outdoor environments.
It can operate in conjunction with, for example, the pedestrian gate BP-6004.

