



BU-DS225 ST/GL

Automatic swing gate

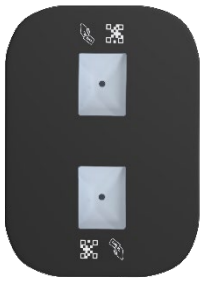
Description

SAFETY
LEVEL

AESTHETICS

COSTING

- Swing turnstile, exquisite and beauty is the most attractive feature in the first look.
- The cabinet with 230 width which is flexible to install any type of RFID card reader directly in the gate itself.
- One piece can support 900mm arm for wide passageway, wheelchair, and pedestrian with large luggage can also pass.
- It is ideal for both indoor and outdoor settings, waterproof design.
- At the top, it's covered by a high black tempered glass, show up an attractive and impressive character.
- The tempered glass swiping card panel is incorporated into the traditional stainless-steel design. The combination of tradition and modern art will definitely brighten up our vision and bring an unexpected surprise.
- The full stainless-steel body is surrounded with dazzling decorative LED light bar which bring out an aesthetic and distinctive sense.
- Superior production: Integrated mold production to ensure the high quality guaranteed.
- Welding: adopt robot for weld to improve the high technological level.
- In case of emergency, the arms will open automatically to allow free passage when power off.



QR Code Panel



Glass Arm (850mm)



Card Reader Panel



Stainless Steel Arm (900mm)

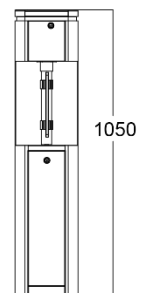
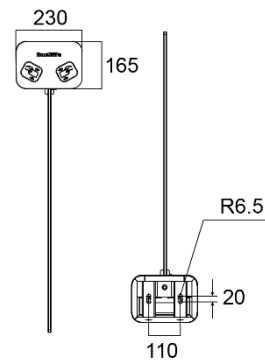
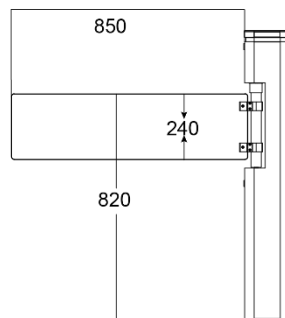
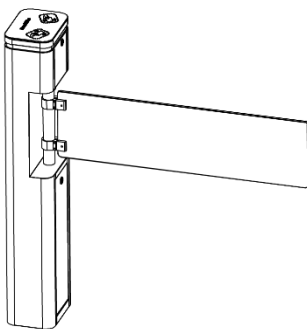
Features

- ✓ Long-life performance, high operation dependability and fast response.
- ✓ The whole system runs smoothly, low noise, no mechanical impact.
- ✓ Single directional or Bi-directional is selectable.
- ✓ Only one person can pass at one time, to prevent the illegal following
- ✓ Automatic reset function: turnstile arm will lock automatically within 5s (can be setting) if passenger delay to entry.
- ✓ When power is off, arms will open automatically, which is complying with fire safety requirements.
- ✓ LED indicator (red means no entry; green means entry; blue means normal close).
- ✓ It has standard relay signal, which can be integrated with any kind of third-party access control system (e.g.: RFID, Fingerprint and Biometric reader device).
- ✓ It is suitable for areas with general pedestrian traffic (e.g.: hotel, gym, building, shopping mall, reception area and so on).
- ✓ Easy to install and maintain.
- ✓ 3-year warranty support.

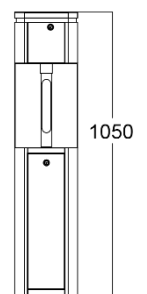
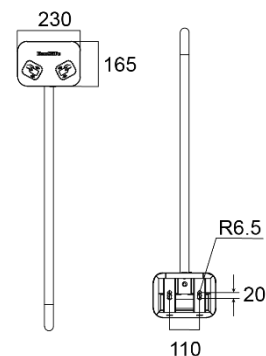
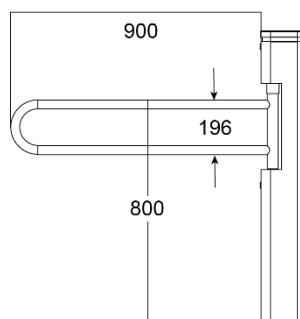
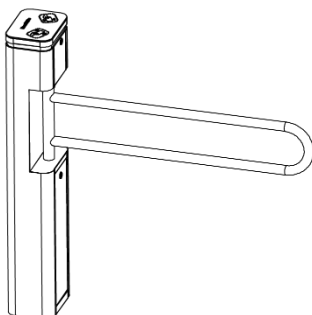


Type	Swing Turnstile
MCBF	10 million
Flexibility	Integrate with any access control
Certification	Compliance CE, ROHS
Communication	Dry contact, Relay signal, RS485
Framework Material	304 brushed stainless steel+ high end black tempered film glass
Arm material	304 Stainless Steel or Plexiglas-transparency
Dimension	230 * 165 * 1050mm
Net Weight	25kg/pcs
Passage/arm Width	≤900mm Stainless steel arm length: 900mm; Plexiglas-transparency arm length: 850mm
Passing Direction	Single directional / Bi-directional
LED Indicator	Unique blue LED strip
Power Supply	AC220V/110V, 50/60Hz
Operation Voltage	24V DC
Power Consumption	20W
Operation Temperature	-20 °C - 75 °C
Operation Humidity	0 ~ 95% (No freeze)
Working Environment	Indoor / Outdoor Waterproof
Flow Rate	35~40 people per minute
Emergency	Arms will open automatically

Plexiglas-transparency arm



Stainless steel arm



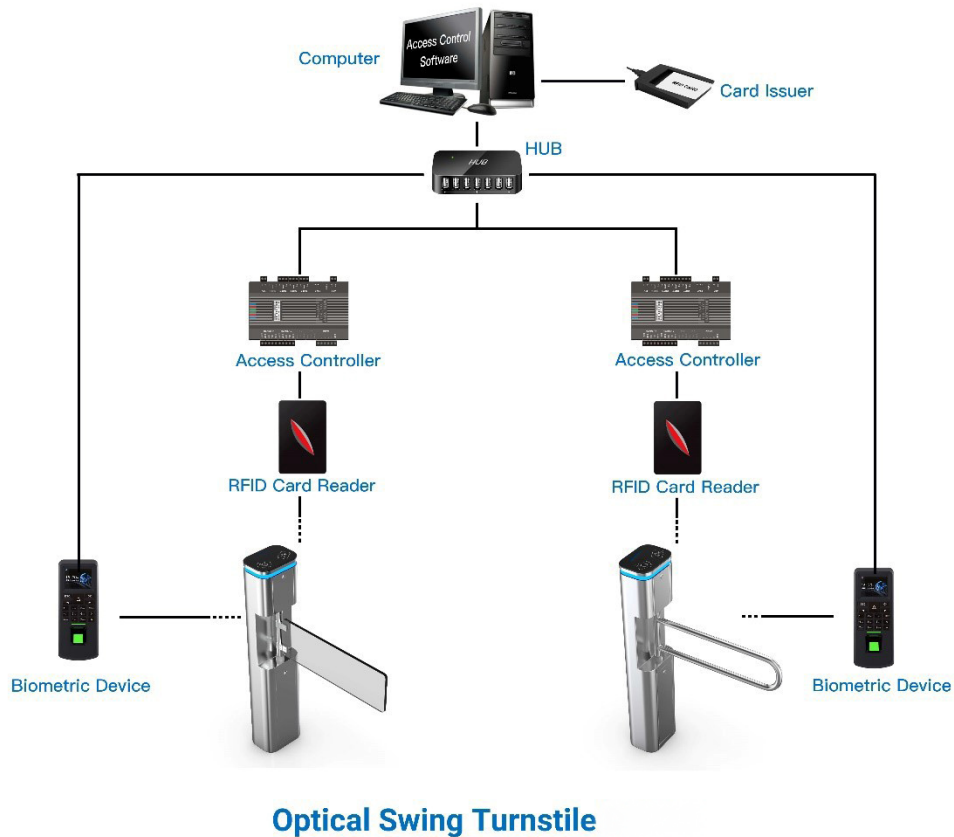
BU-DS225 ST/GL



One piece can support 850-900mm arm for wide passageway, wheelchair, and pedestrian with large luggage can also pass. The turnstile has an IP65 rating, waterproof, no afraid of water or rain. Which is provides an artistic and high artwork solution for access control solution.



System Integration Figure



REMARK:

- The turnstile circuit board support to work with any relay signal, and support to integrated with any 3rd party access control system: RFID, BIOMETRIC, QR/BARCODE and so on.
- Multiple access controller board can be connected by TCP/IP through net cable, control by central computer.
- The turnstile circuit board is also with RS232 output, it can connect with mini PC. Turnstile will open once received simple code by computer, which is suitable for the complicated like ticketing system solution.

Swing turnstile, the cabinet with 230 width which is flexible to install any type of RFID card reader directly in the gate itself.



Glass Arm



Stainless Steel Arm



With Tripod Turnstile