



## **Tripod BO-DS5000**

Model BO-DS5000 with a small size, simple structure is ideal for installing at bus inside directly, only one person can pass at one time to prevent the illegal trailing.

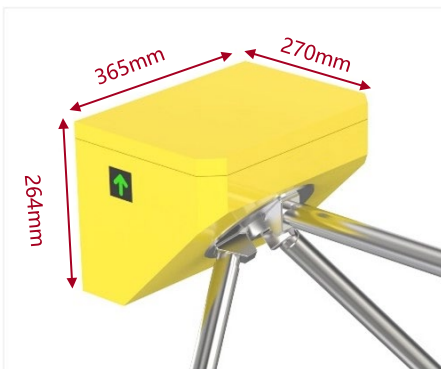
It supports any type of external device solution. (e.g.: Validator, Display, Counter, Reader, Barcode/QR reader).

## Features

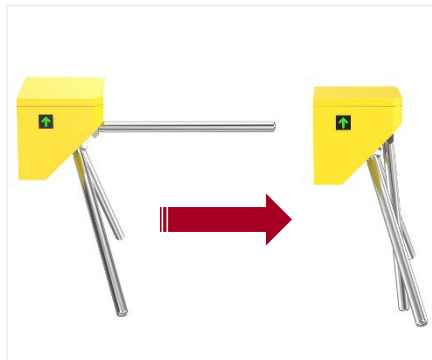
- Two way or one way working.
- Support integrated with any type of access control systems.
- 270\*365\*264mm small size, fit for small installation space.
- Lower power consumption.
- Low noise, system runs smoothly.
- Green and red LED indicator display passing status.
- IP65 waterproof level, indoor/outdoor use.
- Fire safety requirements, arms drop down automatically.
- Easy to install and maintain.
- 3 years warranty support.

## Customized Service

- Appearance color can be customized based on installation environment.
- Dimensions can be customized to meet your request.
- Logo can be customized.
- Picture: high resolution and scene picture can be customized



Small Size



Arms Drop Down



LED Light

## BO-DS5000 + Validator D8 Installed at Bus

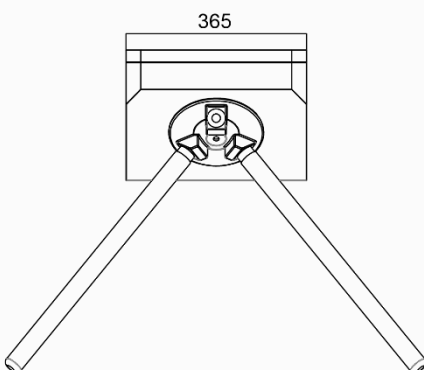


## Specification

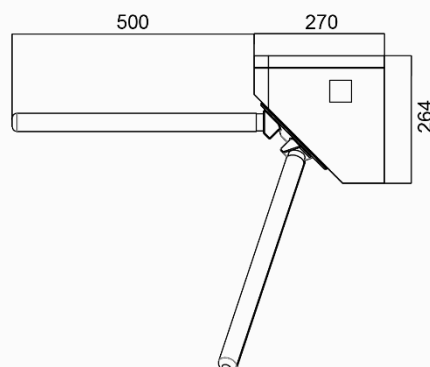
Model No.	BO-DS5000
Type	Bus Turnstile
Flexibility	Integrate with any access control
Certifications	Compliance CE, ROHS, FCC
Framework Material	Steel Yellow stoving varnish
Arm material	Stainless Steel
Dimension	270 * 365 * 264mm
Net Weight	25kg/pcs
Passage Width	550mm
Passing Direction	Single directional / Bi-directional
MCBF	10 million
Power Supply	AC220V/110V, 50/60Hz
Operation Voltage	24V DC
Power Consumption	40W
Operation Temperature	-20 °C - 75 °C
Operation Humidity	0 ~ 95% (No freeze)
Working Environment	Indoor / Outdoor
Flow Rate	35 people per minute
LED Indicator	Two LED indicators on top: green → entry, red × no entry
Communication	Dry contact, Relay signal, RS485
Emergency	Arms will drop down automatically



Side View



Front View



Top View

