



Model BS-DS7100H

Speed Gate

The BS-DS7100H Speed gate is a popular choice due to its classic and sleek design, featuring a fully stainless-steel brushed appearance. It is highly favored for its elegant and luxurious application in access control.

Features

- Two way or one way working.
- Support integrated with any type of access control systems.
- 120mm brushed stainless steel slim cabinet.
- Lower power consumption.
- Low noise, system runs smoothly.
- Blue, green and red LED indicator display passing status.
- Indoor/outdoor use(shelter).
- Fire safety requirements, arms open automatically.
- Easy to install and maintain.
- 3 years warranty support.

Customized Service

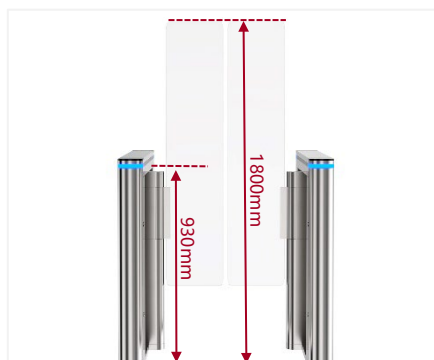
- Appearance color can be customized based on installation environment.
- Dimensions can be customized to meet your request.
- Logo can be customized.
- Arm glass width and height are optional.
- Infrared sensor number optional.
- Picture: high resolution and scene picture can be customized.

Functions

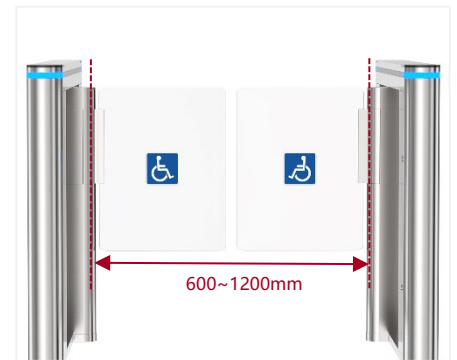
- **Infrared sensor alarm function:**
in case of illegal intrusion and reverse intrusion.
- **Anti-intrusion function:**
the gate is locked automatically until valid opening signal input.
- **Anti-reverse function:**
the turnstile alarms if someone wants to entry in the reverse direction.
- **Anti-trailing function:**
the speed gate alarms if someone wants to burst in without permission.
- **Anti-collision and anti-kick function:**
it designed with consolidated and more durable mechanism, will not break even someone collide it.
- **Mechanism self-protection:**
the arm will reset automatically if off position. The movement will not be broken or damaged even hit.



Logo Custom



High Glass Optional



Wide Lane Optional



Anti-kick Function



Infrared Sensors in the Line of Black Area



Fire Safety Requirements,
Arms Open Automatically

Access Control System

Turnstile gates can be well integrated with any 3rd party access control systems



Card Solution



QR/Bar Code Solution



Biometric Solution



Remote Control



Touchless Button



Card



QR Code



Fingerprint



Face



Palm Vein

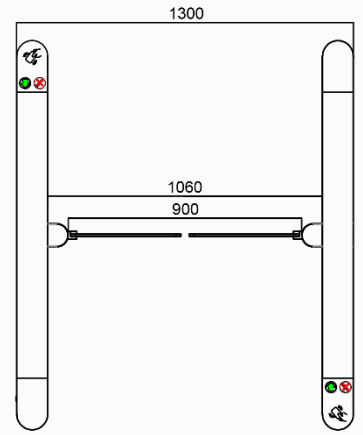
Four lanes for card solution installed at hotel



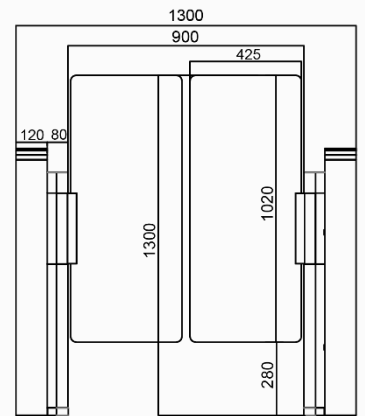
Specifications

Model No.	BS-DS7100H
Type	Speed Gate
Framework Material	304 Stainless Steel
Arm material	Plexiglas-transparency
Dimension	1500 * 120 * 1020mm
Net Weight	80kg/pcs (single core), 100kg/pcs (double core)
Passage Width	600mm (standard), 1200mm max. (handicap)
Arm Height	930mm (standard), 1800mm max. (optional)
Passing Direction	Single directional / Bi-directional
MCBF	15 million
Power Supply	AC220V/110V, 50/60Hz
Operation Voltage	24V DC
Power Consumption	40W
Operation Temperature	-20 °C - 75 °C
Operation Humidity	0 ~ 95% (No freeze)
Working Environment	Indoor / Outdoor (shelter)
Flow Rate	55 people per minute for standard arm 35 people per minute for high arm
LED Indicator	LED indicators at top: green → entry, red × no entry
Infrared Sensor	6 pairs (standard)
Emergency	Automatic arm open when power off
Communication	Dry contact, Relay signal, RS485
Flexibility	Integrate with any access control

Top View



Front View



Side View

