



## Access control reader pedestal

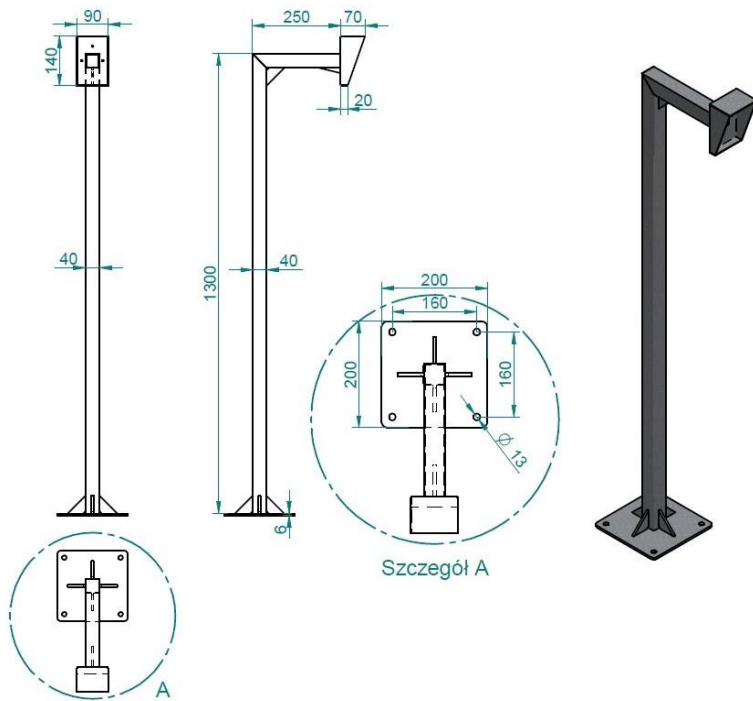
**KD**

### ACCESS CONTROL READER PEDESTAL

The access control reader pedestal is a durable and aesthetic structure designed for mounting access control readers. Made to order, it allows full customization of dimensions, material, and color, ensuring a perfect fit for specific projects.

### MAIN PRODUCT FEATURES

- ⦿ Custom-made production – full project customization
- ⦿ Material options – stainless steel or aluminum
- ⦿ RAL color coating – any color available
- ⦿ Flexible dimensions – adjustable height and reach
- ⦿ Stable construction – solid mounting base



## TECHNICAL DATA

Model	KD
Type	Access control reader pedestal
Total height	1300 mm
Arm reach	250 mm
Post profile	40 mm
Mounting plate dimensions	200 x 200 mm
Hole spacing	160 mm
Hole diameter	Ø13 mm
Head dimensions	90 x 140 mm
Material	Stainless steel / aluminum
Finish	RAL coating
Installation	Ground-mounted (anchored)