

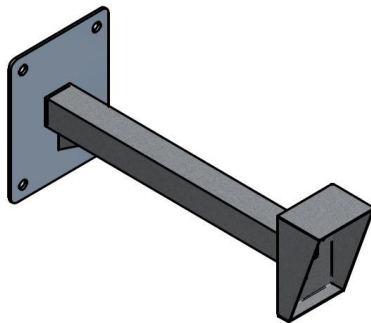
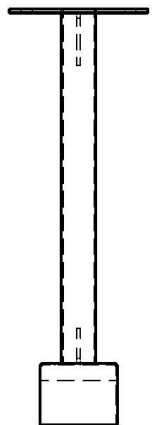
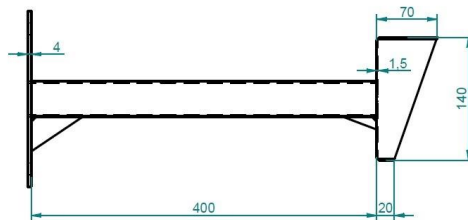
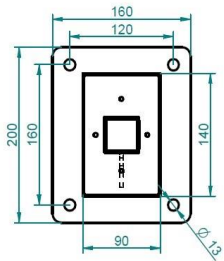


ACCESS CONTROL READER

The wall-mounted bracket for access control reader is a durable and aesthetic solution for installing access control readers on walls. Made to order, it allows full customization of dimensions, material, and color to perfectly match project requirements.

MAIN PRODUCT FEATURES

- ⦿ Custom-made production – full project customization
- ⦿ Material options – stainless steel or aluminum
- ⦿ RAL color coating – any color available
- ⦿ Flexible dimensions – adjustable length and structure
- ⦿ Stable mounting – solid wall plate



TECHNICAL DATA

Model	KD
Type	Wall-mounted bracket for access control reader
Arm length	400 mm
Profile size	40 mm
Wall thickness	1.5 mm
Mounting plate thickness	4 mm
Wall plate dimensions	200 x 200 mm
Hole spacing	120 / 160 mm
Hole diameter	Ø13 mm
Head dimensions	70 x 140 mm
Mounting offset	20 mm
Material	Stainless steel / aluminum
Finish	RAL coating
Installation	Wall-mounted